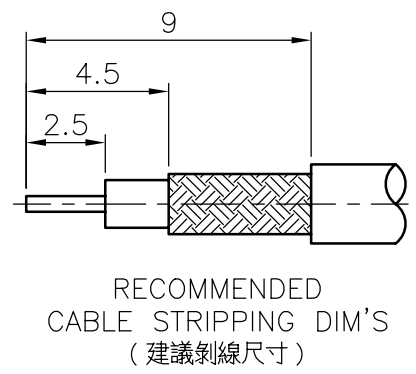
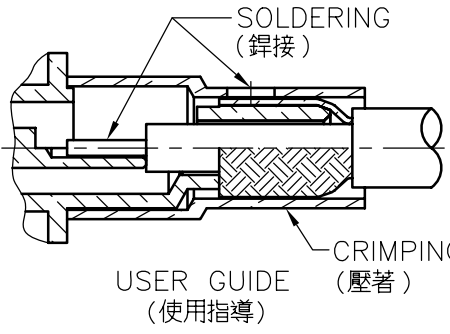
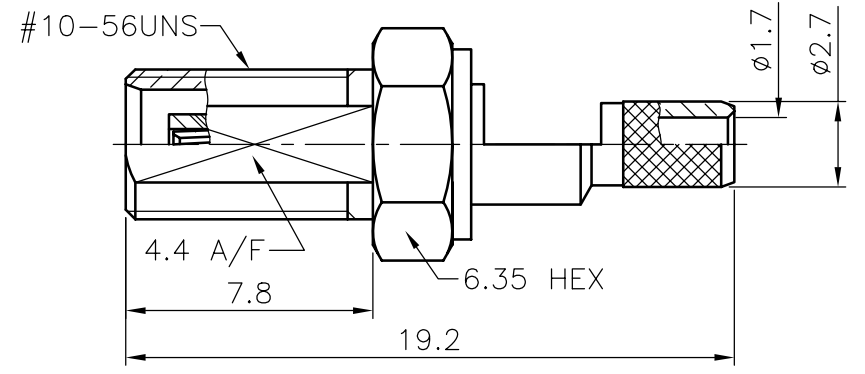
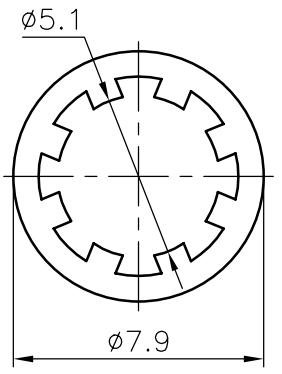
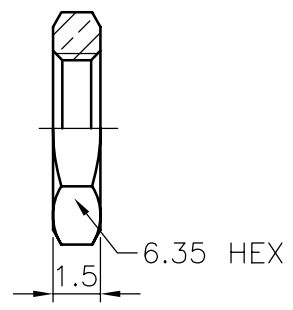
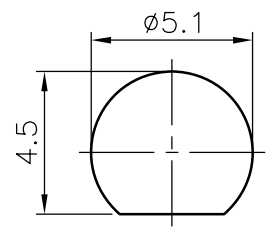


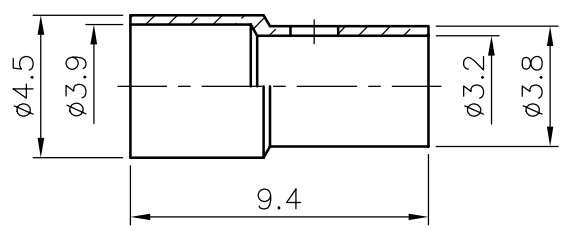
REV	DESCRIPTION	APPROVAL	DATE
A	Initial Release		07.06.13



REMARK: RoHS COMPLIANT (符合 RoHS)



- NOTES: FINISH (PLATING THICKNESS IN MICRO-INCHES)
- BRASS PER QQ-B-626
 - GOLD PL 3 MIN OVER NICKEL PL 70 MIN THICK OVER COPPER STRIKE
 - GOLD PL 30 MIN OVER NICKEL PL 70 MIN THICK OVER COPPER STRIKE
 - TEFLON MIL-P-19468
 - BERYLLIUM COPPER PER QQ-C-530
 - BRASS PER QQ-B-613



- CRIMPED FERRULE HEX CRIMP SIZE .128" (3.25mm) (套管壓著工具)
- CONTACT PIN TO SOLDER (中心針銲接)
- MAX. PANEL THICKNESS=5.3mm (最大板厚)

NO.	DESCRIPTION	MATERIAL	FINISH	Q'TY	DRAWING NO.
	NUT		NOTE 1	NOTE 2	
	WASHER		NOTE 6	NOTE 2	
	FERRULE		NOTE 1	NOTE 2	
	BRAID HOLDER		NOTE 1	NOTE 2	
	CONTACT PIN		NOTE 5	NOTE 3	
	INSULATOR		NOTE 4	WHITE	
	BODY		NOTE 1	NOTE 2	

UNLESS OTHERWISE SPECIFIED TOLERANCES (一般公差)

0.5~6 = ±0.2
 >6~30 = ±0.4
 >30~120 = ±0.6
 >120~315 = ±1
 >315~1000 = ±1.6
 ANGLES(角度) = ±5°

貝強實業有限公司 PANSTRONG COMPANY LTD.				DRAWN BY		TOMMY	
				CHECKED			
TITLE:		MCX BULKHEAD CRIMP JACK (FOR RG-174/U,188A/U,316/U)				APPROVED	
PART NO:		XF02G0105C				DRAW NO	
File Number:							
SCALE	4:1	REV	A	UNIT	mm		