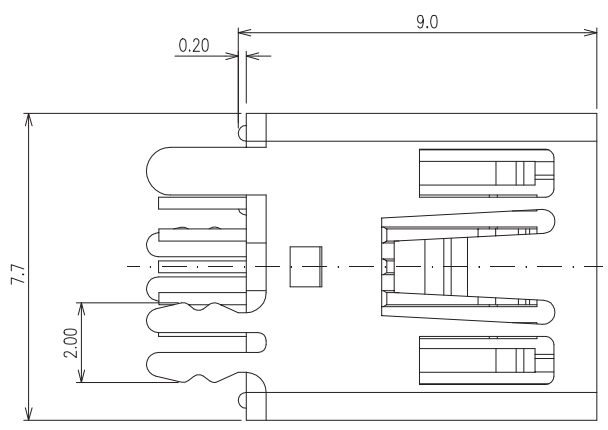
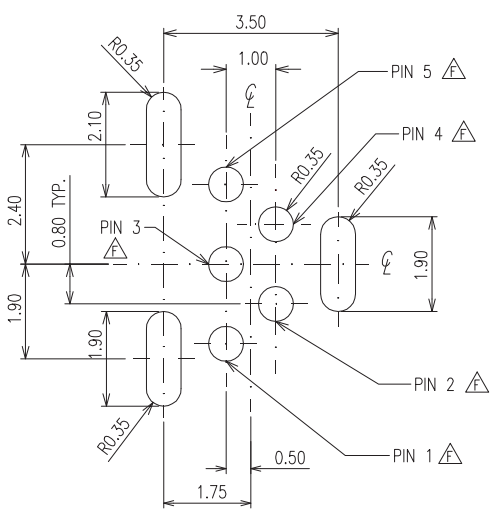


REV	DESCRIPTION	APPROVAL	DATE
F	新制定		06.05.09



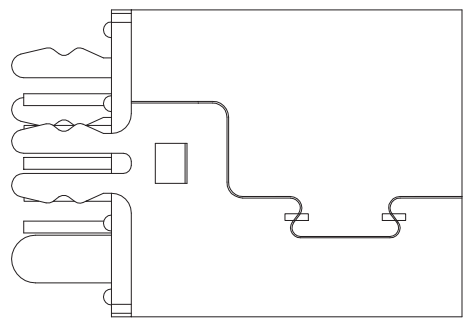
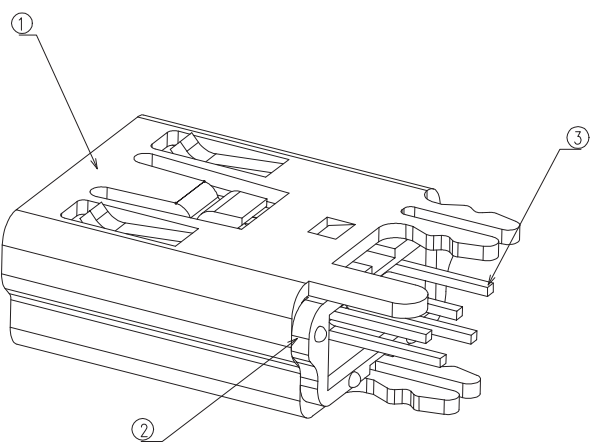
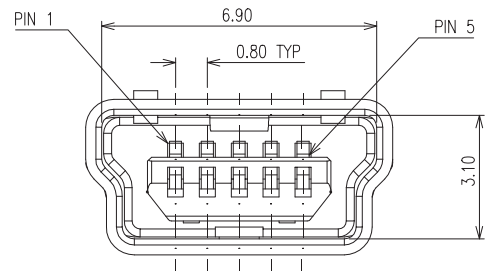
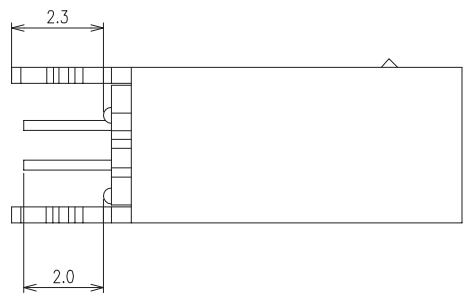
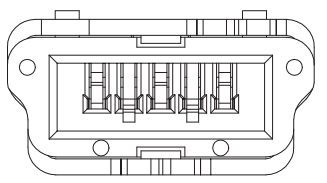
NOTE :
 1.0. OTHERS :
 1.1. PRODUCT SPECIFICATION : CSP-MNC10-00-00
 1.2. RECOMMENDED PC BOARD THICKNESS 1.2mm and 1.6mm
 1.3. RECOMMENDED PC BOARD MOUNTING DIMMENSION : REFER FIGURE A

FIGURE A : Printed Circuit Board (PCB) Layout(scale 10 : 1)

TABLE A: PRODUCT NUMBER

MUSB	B	5	F	01	02	K	30	H
	1	2	3	4	5	6	7	8

- MINI USB B TYPE
- No. of Contact: 5 Positions
- F: Socket
- 01: Through-Hole
- 02: Vertical
- Color of Insulation: K Black, W White
- Plating of Contact: 30: 30u" Gold, 05: 05u" Gold
- BLANK : Standard PBT H : High Temp : PA-9T



SCALE 8 : 1

ROHS-COMPLIANT

GENERAL TOLR RANGE	ANGLE TOLRANCE
X. ±0.30	x. ±3.0°
.X ±0.25	.X ±2.0°
.XX ±0.13	.XX ±1.0°
.XXX ±0.05	

REV.	DESCRIPTION	DATE
B	△X1	11/24/03*
C	△X1	12/17/03*
D	△X1	04/17/04*
E	ADD PART NUMBER △X1	09/30/04*
F	ADD PIN NUMBER △X5	11/29/04*

ITEM	NAME	Q'TY	MATERIAL / FINISH
3	CONTACT	5	COPPER ALLOY
2	HOUSING	1	PBT/THERMOPLASTIC, GLASS FILLED;30°C, 94V-0RATED
1	SHELL	1	COPPER ALLOY

貝強實業有限公司 PANSTRONG COMPANY LTD.		DRAWN BY		TOMMY	
		CHECKED			
TITLE:		MINICONN.MIN USB		APPROVED	
PART NO:		MUSBB5F0102K30		DRAW NO	
DRAW. BOX NO:					
SCALE	8:1	REV	G	UNIT	mm