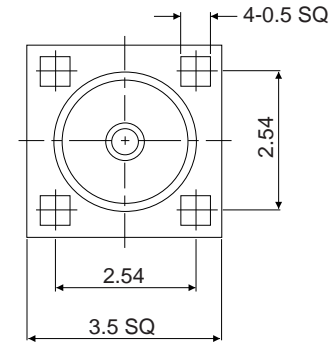
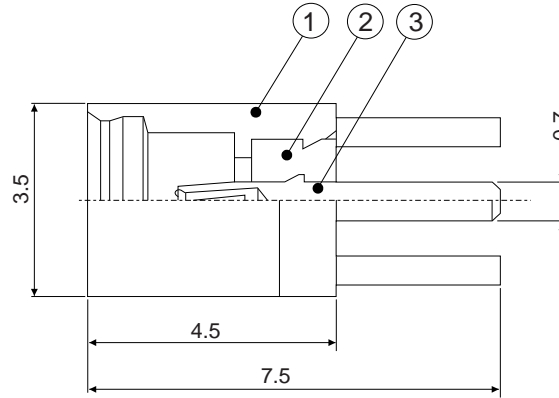
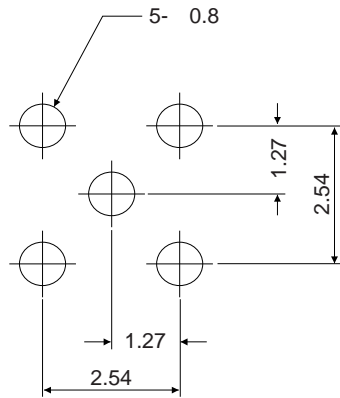


REV	DESCRIPTION	APPROVAL	DATE
	新制定		07.03.20



PCB MOUNTING HOLES

NOTES:FINISH(PLATING THICKNESS IN MICRO-INCHES)

1. BRASS PER QQ-B-626
2. GOLD PL 3 MIN THICK OVER NICKEL PL 100 MIN THICK OVER COPPER STRIKE
3. BERYLLIUM COPPER PER QQ-C-530
4. GOLD PL 30 MIN THICK OVER MICKEL PL 100 MIN THICK OVER COPPER STRIKE
5. TEFLON MIN-P-19468

NO	DESCRIPTION	MATERIAL	FINISH	Q'TY
3	CONTACT PIN	NOTE 3	GOLD	1
2	INSULATOR	NOTE 5	GOLD	1
1	BODY	NOTE 1	GODL	1

 貝強實業有限公司 PANSTRONG COMPANY LTD.	DRAWN BY		TOMMY
	CHECKED		
TITLE:	MMCX P.C. MOUNT JACK		APPROVED
PART NO:	MXF02G0101		DRAW NO
File Number:			
SCALE	/	REV	UNIT mm 