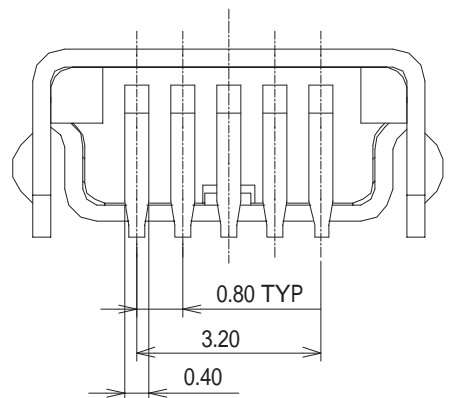
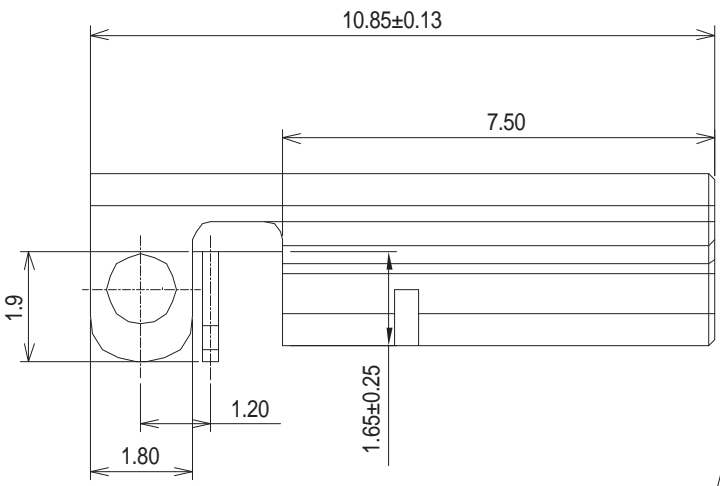
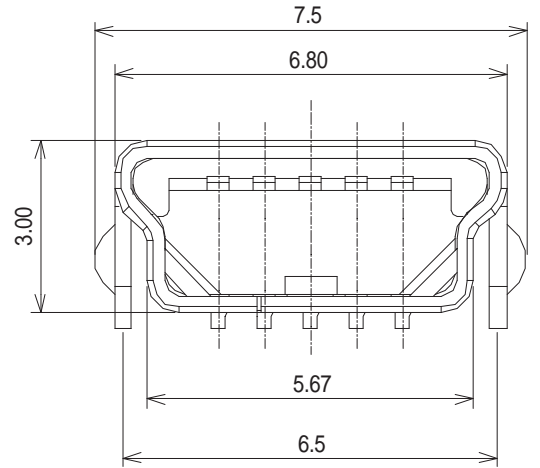
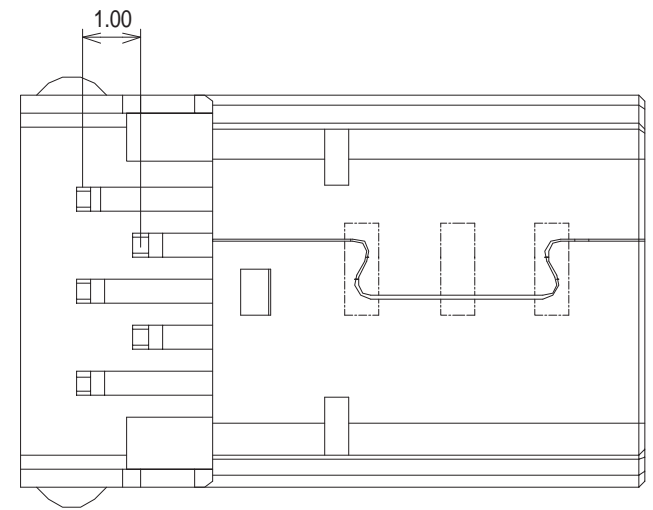
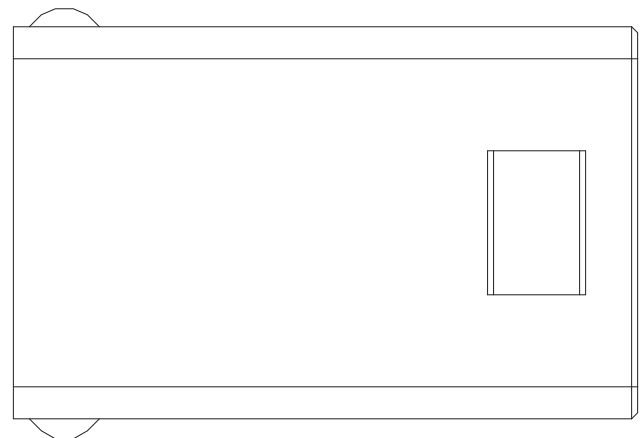


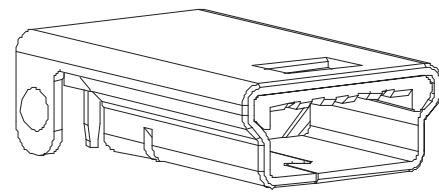
REV	DESCRIPTION	APPROVAL	DEAT
C	新制定		06.05.09

REV.	DESCRIPTION	DATE
B	$\triangle B \times 2, AX2$	03/25/05'
C	$\triangle C \times 2, AX2$	04/02/05'


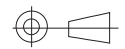


ITEM	NAME	Q'TY	MATERIAL / FINISH
3	HOUSING	1	SEE PART NUMBERING CODE 6
2	CONTACT	5	JIS C2680 R-H, 30u" Au/ 100 ~ 200u" SN-CU
1	SHELL	1	JIS SPC-1, FINISH SEE PART NUMBERING CODE 5

GENERAL TOLERANCE		ANGLE TOLERANCE	
X.	±0.30	X.	±3.0°
.X	±0.25	.X	±2.0°
.XX	±0.13	.XX	±1.0°
.XXX	±0.05		



ROHS-COMPLIANT

 貝強實業有限公司 PANSTRONG COMPANY LTD.				DRAWN BY		TOMMY	
				CHECKED			
TITLE:				MINI USB B TYPE 5 POSITION LOW PROFILE R/A T/H (COUSTOMER DRAWING)			
PART NO:				MUSBB5M0101K30			
DRAW . BOX NO:							
SCALE		8:1	REV	C	UNIT	mm	

REV	DESCRIPTION	APPROVAL	DEAT
C	新制定		06.05.09

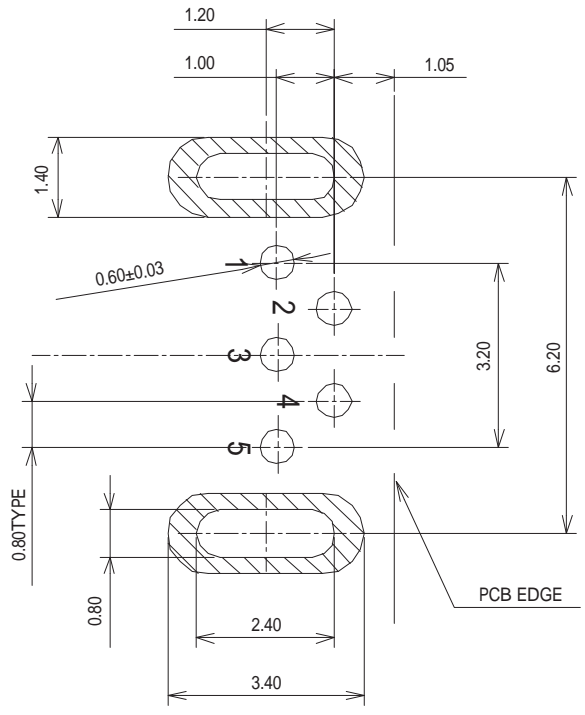
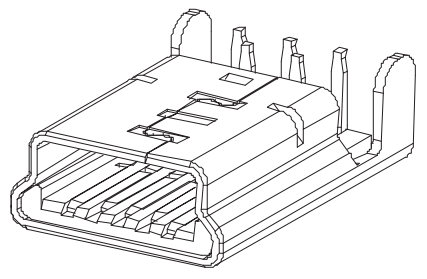


FIGURE A: Printed Circuit Board (PCB) Layout (8:1)



NOTE:

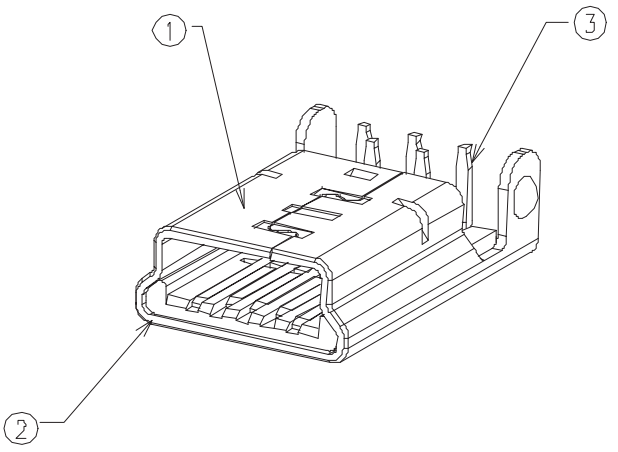
- 1.0 RATING:
 1.1 VOLTAGE: 30Vac (rms).
 1.2 CURRENT: 1.0AMPERE AT 250VAC MINIMUM.
 1.3 TEMPERATURE: (REF TO CSP-MNC10-00-00)
 2.0 ELECTRIC CHARACTERISTIC:
 REFER TO PRODUCT SPEC.(CSP-MNC10-00-00)
 3.0 MATERIALS: (SEE TABLE B)
 4.0 FINISHS: (SEE TABLE B)
 5.0 OTHERS:
 5.1 PRODUCT SPECIFICATION: CSP-MNC10-00-00
 5.2 PRODUCT NUMBERING CODE: (SEE TABLE A)
 5.3 RECOMMENDED PC BOARD THICKNESS 1.2mm CR 1.57mm

TABLE A: PRODUCT NUMBER

MUSB	B	5	M	01	01	K	30
	1	2	3	4	5	6	7

- MINI USB B TYPE
- No. of Contact: 5 Positions
- M: Plug
- 01: Through-Hole
- 01: Right Angle
- Color of Insulation: K Black, W White
- Plating of Contact: 30: 30u" Gold, 05: 05u" Gold

**SHELL PLATING: NICKEL



ROHS-COMPLIANT

GENERAL TOLERANCE		ANGLE TOLERANCE	
X.	±0.38	X.	±3.0°
.X	±0.25	.X'	±2.0°
.XX	±0.13	.XX'	±1.0°
.XXX	±0.05		

貝強實業有限公司 PANSTRONG COMPANY LTD.				DRAWN BY		TOMMY	
				CHECKED			
TITLE:		MINI USB B TYPE 5 POSITION LOW PROFILE R/A T/H (CUSTOMER DRAWING)				APPROVED	
PART NO:		MUSBB5M0101K30				DRAW NO	
DRAW BOX NO:							
SCALE		8:1	REV	C	UNIT	mm	