

REV	DESCRIPTION	APPROVAL	DATE
A0	Initial Release		07.03.15

Note:

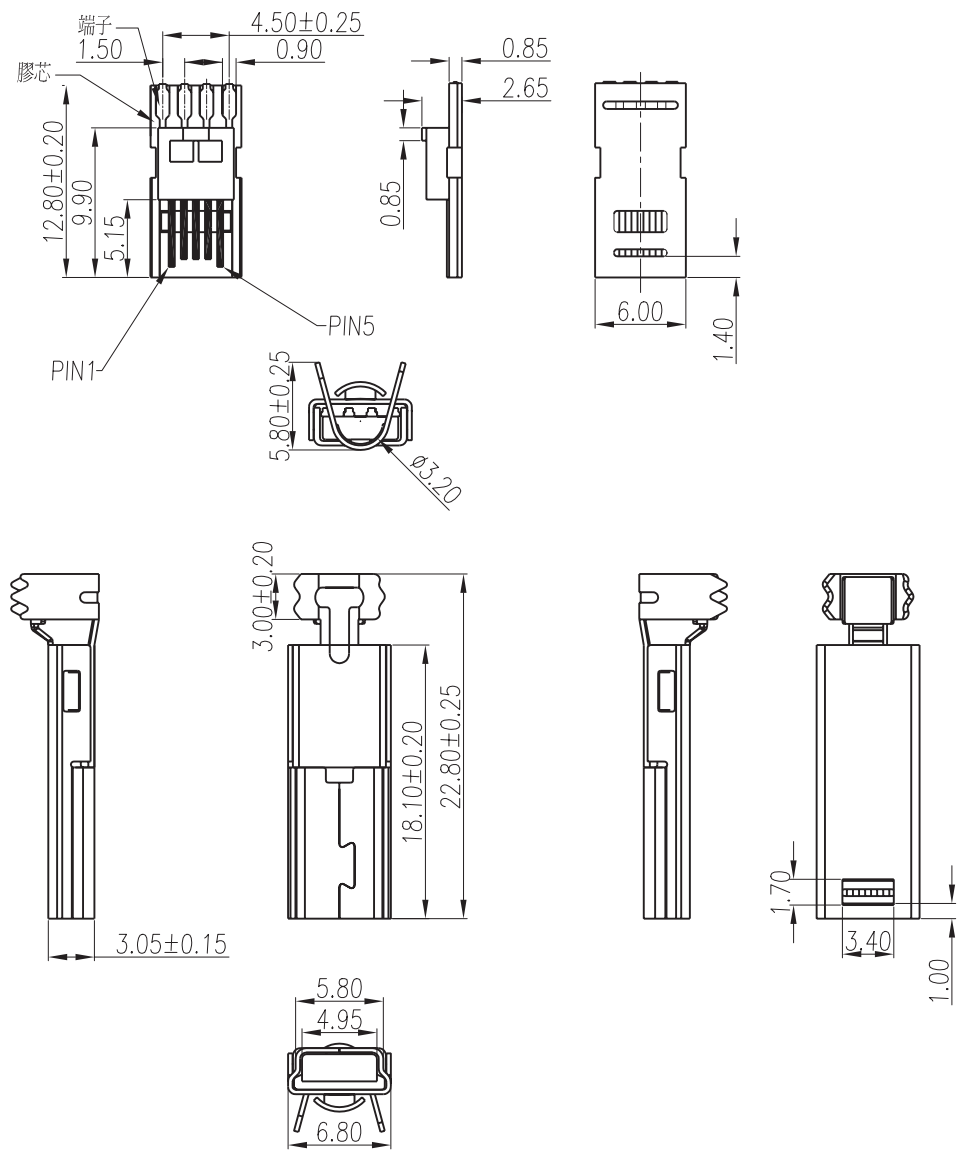
Specification:

1. Current rating: 1 A Max.
2. Dielectric withstanding voltage: 500 V(ac) for 1 minute.
3. Contact resistance: 30 mW Max.
4. Insulation resistance: 1000 MW Min at DC 500V.
5. Temperature range: -55°C~+105°C

PART NO.

MUSBB5M01K<sub>xx</sub>

Gold Plating on Contacts  
 15 : 15u"  
 30 : 30u"



TOLERANCE UNSPECIFIED	
.X	±0.30
.XX	±0.20
.XXX	±0.10
ANG	±1°

4	Back Shell	1	Cold rolled steel	T=0.30mm	Cu:40u"min. 80u"~120u" Nickel Plated
3	Front Shell	1	Cold rolled steel	T=0.30mm	Cu:40u"min. 80u"~120u" Nickel Plated
2	Contact	4	Brass	T=0.25mm	Contact Area:15u" or 30u"Gold Plated over 40u"Nickel min Solder area:80~120u"Tin Plated over 40u"Nicked Min.
1	Housing	1	PBT	L 94-V0	Black
No.	Name	Q'ty	Material	Remarks&Thickness	Finish

<b>貝強實業有限公司</b> <b>PANSTRONG COMPANY LTD.</b>				DRAWN BY		TOMMY
				CHECKED		
TITLE:		MINI USB 5P PLUG			APPROVED	
PART NO:		MUSBB5M01K**			DRAW NO	
File Number:						
SCALE	A4	REV	A0	UNIT	mm	