

REV.	DESCRIPTION	DATE
F	CORRECTED P/N $\triangle X1$	05/31/04'
G	MOOIFY CORRECTED P/N $\triangle X2$	06/23/04'

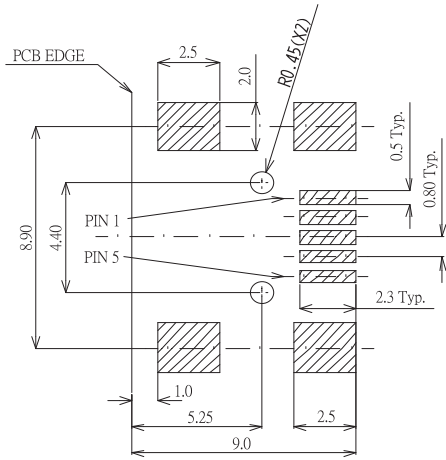
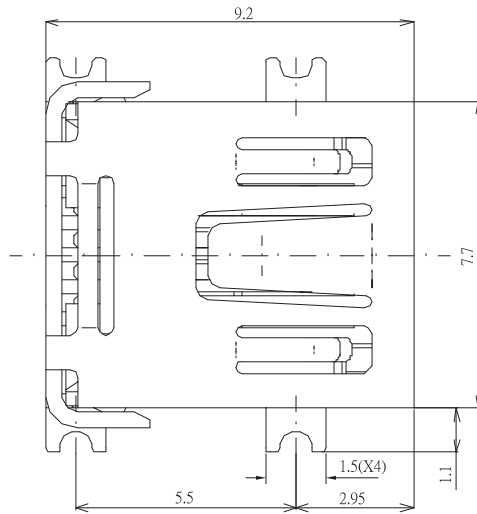


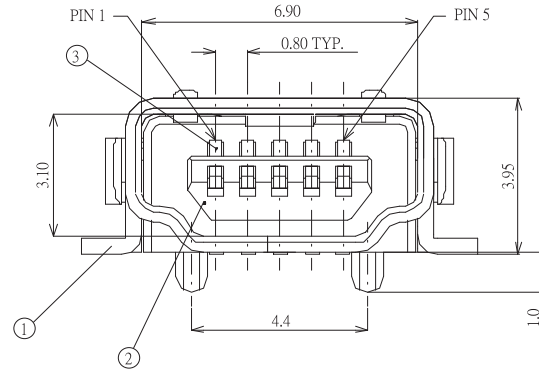
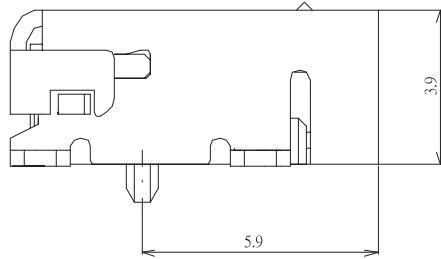
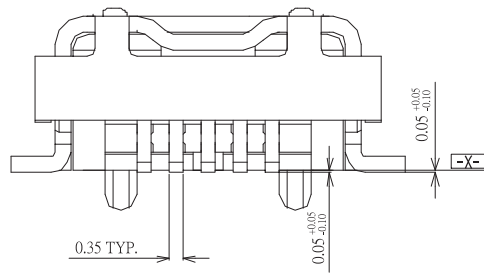
FIGURE A: Printed Circuit Board (PCB) Layout (SCALE 5:1)



MATERIALS AND FINISH:
 SHELL: COPPER ALLOY/TIN PLATING
 INSULATOR: HIGH TEMP. PA6T THERMOPLASTIC
 240°C, UL 94V-0 RATED, NATURE
 CONTACTS: PHOSPHOR BRONZE/30u" GOLD PLATING

ELECTRICAL SPECIFICATIONS:
 RATED VOLTAGE: 30V AC (rms)
 CONTACT CURRENT RATING : 1A MAX.
 CONTACT RESISTANCE: 50 MILLIOHMS MAX.
 INSULATION RESISTANCE: 1000 MEGOHMS MIN.
 DIELECTRIC WITHSTANDING VOLTAGE: 100V AC
 OPERATING TEMPERATURE: -55°C to +85°C

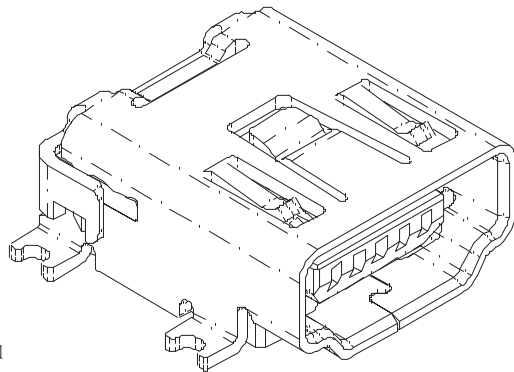
ITEM	NAME	QTY	MATERIAL / FINISH
3	CONTACT	5	COPPER ALLOY/SELECTIVE GOLD PLATED ON MATING AREA (REFER TO TABLE A)
2	HOUSING	1	HIGH TEMPERATURE THERMOPLASTIC, CLASS FILLED, 240°C, UL 94V-0 RATED
1	SHELL	1	COPPER ALLOY/HALF-BRIGH TIN PLATED OVER COPPER



PART NO.

MUSB $\frac{A}{1}$ $\frac{5}{2}$ $\frac{F}{3}$ $\frac{03}{4}$ $\frac{01}{5}$ $\frac{W}{6}$ $\frac{30}{7}$

1. MINI USB A TYPE
2. No. of Contact: 5 Positions
3. F: Socket
4. 03: SMT
5. 01: Right Angle
6. Color of Insulation: W White, K Black
7. Plating of Contact: 30: 30u" Gold, 05: 05u" Gold



SCALE 8:1

ROHS-COMPLIANT

GENERAL TOLERANCE		ANGLE TOLERANCE	
X.	±0.38	X.	±3.0°
.X	±0.25	.X	±2.0°
.XX	±0.13	.XX	±1.0°
.XXX	±0.05		

PANSTRONG COMPANY LTD.				DRAWN BY		TOMMY	
TITLE: MINICINN.(MINI USB) MINI-A RECEPTOR R/A SMT TYPE				CHECKED			
PART NO: MUSBA5F0301W30				APPROVED			
DRAW. BOX NO:				DRAW NO			
SCALE		8:1		REV		G	
UNIT		mm					