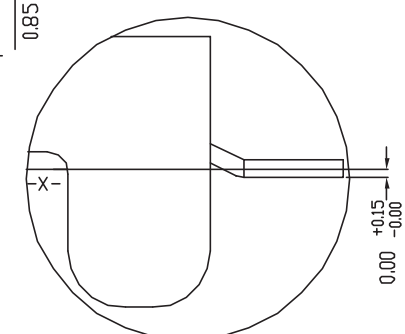
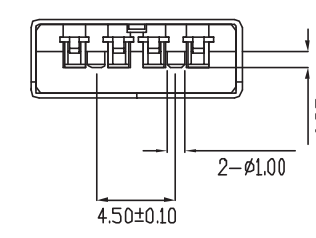
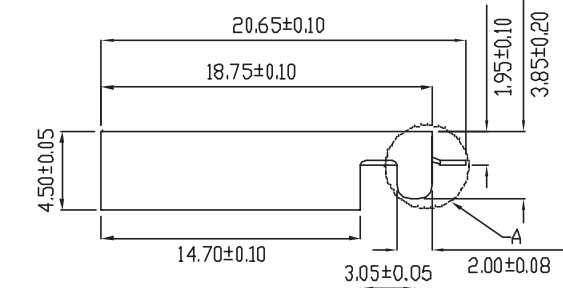
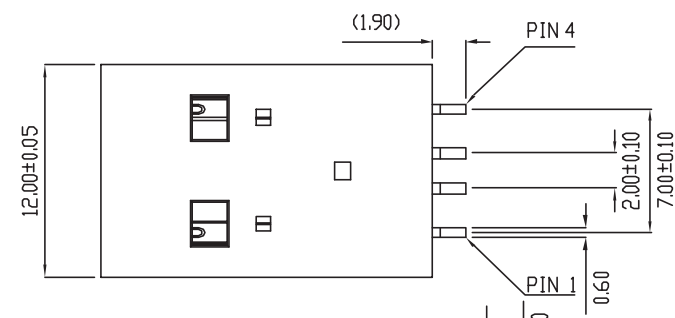
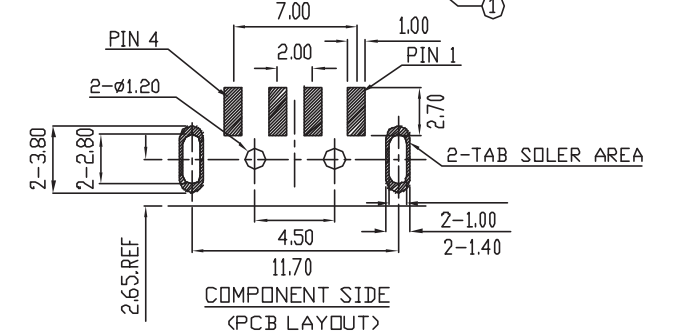
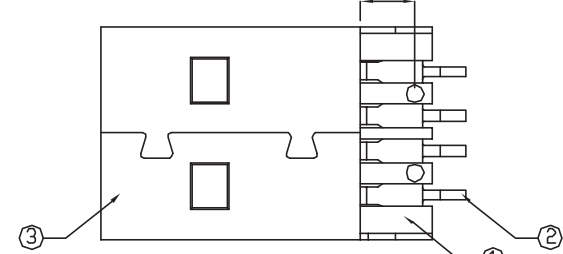


REV	DESCRIPTION	APPROVAL	DATE
A	Initial Release		07.09.07



**Green Product**

DETAIL A  
SCALE:4:1



Specification:  
 Contact Resistance: 30m Ohm Max.  
 Insulation Resistance: 1000M Ohm Min. At 500VDC.  
 Rated Voltage And Current: 1.5A At 250VAC Minimum.  
 Dielectric Withstanding Voltage:  
     500V AC (rms) for 1 Minute(Rev. 2.0)  
 Durability (Life Test): 1500 Cycles  
 Insertion Force: 35 Newton Maximum.  
 Extraction Force: 10 Newton Minimum.

NO.	NAME	MATERIAL	FINISH	REMARK	Q'TY
1	HOUSING	NYLON PA9T GF.	BLACK		1
2	PIN TERM.	BRASS EH T:0.25 mm	GOLD/TIN PLATED	Golok30u',NI:40-60u',TIN:120u' (100% pure Tin of lead free plating)	4
3	SHELL	SPCC T:0.3 mm	NICKEL PLATED	NI:80-120u'	1

TOLERANCE	
X.	±0.38
.X	±0.25
.XX	±0.13
.XXX	±0.05

	PANSTRONG COMPANY LTD.			DRAWN BY	TOMMY
	TITLE: USB A TYPE PCB PLUG FLAT 4 PIN SMT			CHECKED	
PART NO: UAR03LB-4MK30			APPROVED		
File Number:			DRAW NO		
SCALE	1:1	REV	A	UNIT	mm