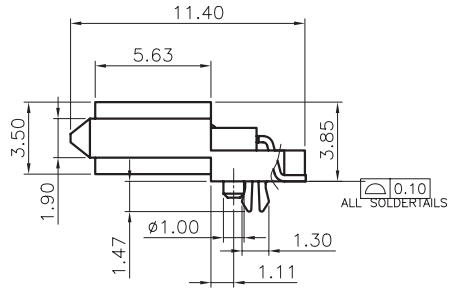
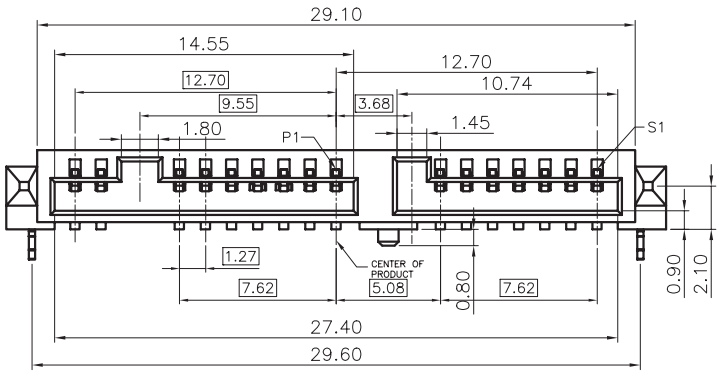
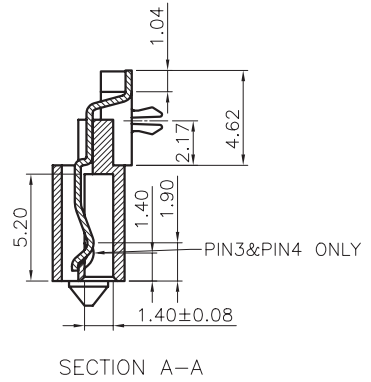
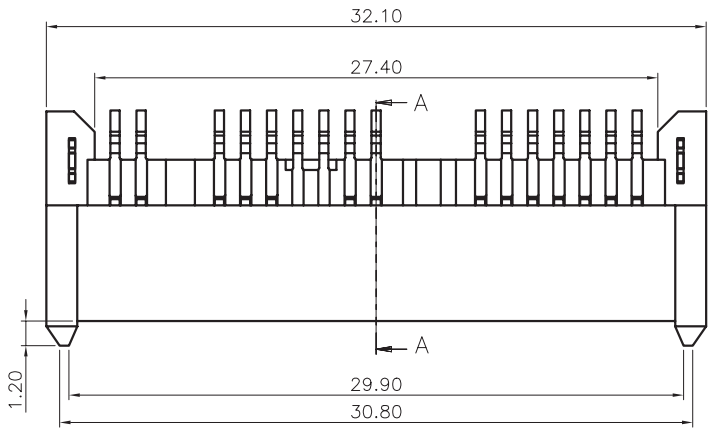


REV	DESCRIPTION	APPROVAL	DATE
A	Initial Release		08'12.08

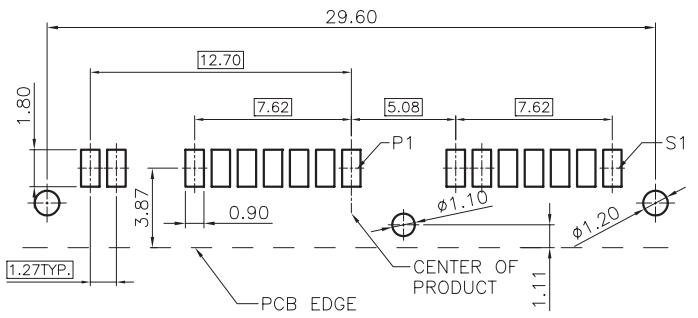


**NOTE:**  
**1.MATERIAL :**  
 BASE : HIGH TEMPERATURE THERMOPLASTIC UL94V-0,  
 TERMINAL:COPPER ALLOY,THICKNESS = 0.30 mm  
 FORKLOCK:BRASS THICKNESS = 0.30 mm  
**2.PLATING:**  
 CONTACT:GOLD OVER 50u" MIN NICKEL UNDERPLATE  
 SOLDER TAIL:150u"MIN MISTY TIN 50u" MIN NICKEL UNDERPLATE  
 GOLD SPECIFICATION:SEE TABLE  
**3.ELECTRONICAL SPECIFICATION:**  
 CURRENT RATING: 1.5 AMPERE PER CONTACT  
 CONTACT RESISTANCE: 30 MILLIOHMS MAX.  
 INSULATION RESISTANCE: 1000 MEGOHMS MIN.  
 DIELECTRIC WITHSTANDING VOLTAGE: 500 VAC.  
 OPERATING TEMPERATURE: -40°C~+85°C

**PART NUMBER SYSTEM:**

STA16F0301Kxx

Contact Gold Plating:  
 01: Gold Flash  
 15: 15u" Gold  
 30: 30u" Gold



RECOMMENDED PCB LAYOUT  
 PCB THICKNESS=1.00mm

TOLERANCE UNIT( mm)	
X	±0.50
X.X	±0.38
X.XX	±0.250
X.XXX	±0.10
ANGULAR	±3°



				DRAWN BY		TOMMY	
				CHECKED			
TITLE:		USATA 16PIN Female DIP		APPROVED			
PART NO:		STA16F0301K		DRAW NO			
File Number:							
SCALE	/	REV	A	UNIT	mm		