

1 2 3 4 5 6 7 8

REV.	ECN NO	LOCATIONS	DESCRIPTION	DATE	REMSER	APPD
§			新制定	06.03.14		

A

B

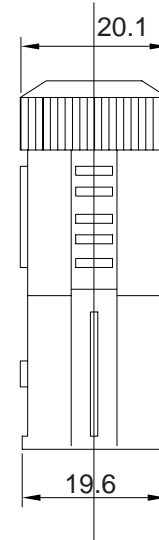
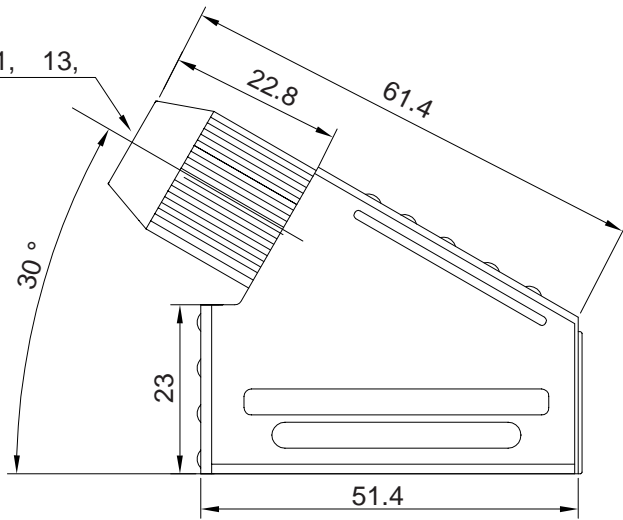
C

D

E

F

dimension: 9, 11, 13,



**MATERIAL:**

- A.INSULATOR:PC(94V-2)&GLASS-FIBER
- B.CONTACT:BRONZE
- C.CONTACT PLATED:TIN PLATED

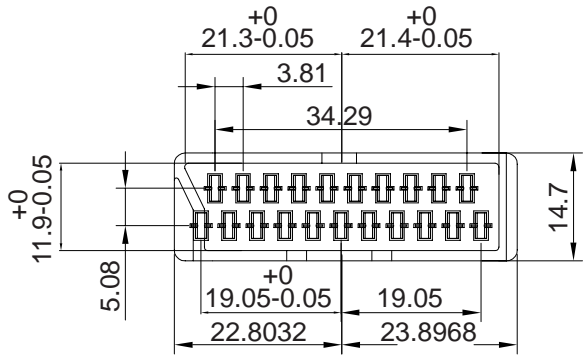
**SPECIFICATION:**


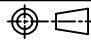
- A.CURRENT RATE:3A/250V AC

**CONTACT RESISTANCE:**

- A.(BRONZE)11.5m AT 2V DC 100mA
- B.(PHOSPHOR BRONZE)10.9m AT 2V DC 100mA

INSULATOR RESISTANCE:1.5G ATW 500V DC 1Min  
 Dielectric withstanding:1000Vac 1Min  
 BRONZE-PART NO ST21F 2003  
 PHOSPHOR BRONZE - PART NO ST21F-2003-PH



DWG NO:		MATERIAL:		 <b>貝強實業有限公司</b> <b>PANSTRONG COMPANY LTD.</b>
MODEL NO:		FINSH:		
UNIT: mm	SIZE:	COLOR:		PART NAME: <b>Scart Female in Plastic Hood, Soldering Terminals wire Holder Cap</b>
TOLERANCE UNSPECIFIED		DR: TOMMY		
.x	±0.3	CHK:		PART NO: <b>ST21F-2003</b>
.xx	±0.100	APP:		REV: §
.xxx	±1°	SCALE: /		SHEET: 1 of 1
ANG.	±1°			

1 2 3 4 5 6 7 8