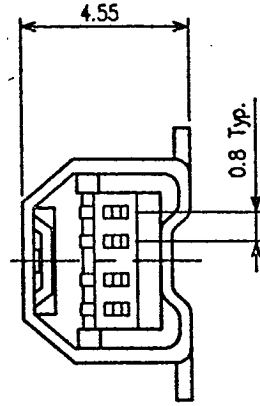
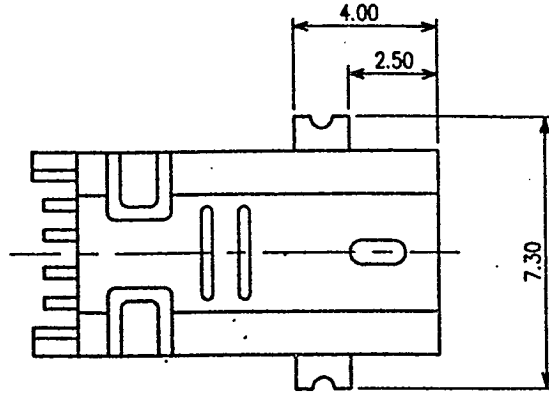
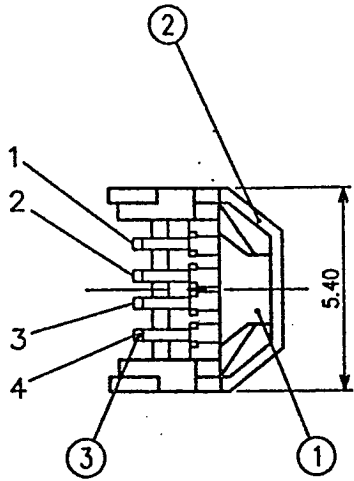


1

2

3

4



ELECTRICAL:

VOLTAGE RATING

5.0V

CURRENT RATING

0.5A

CONTACT RESISTANCE

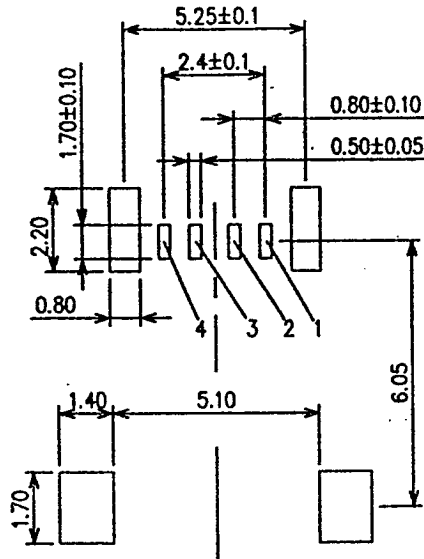
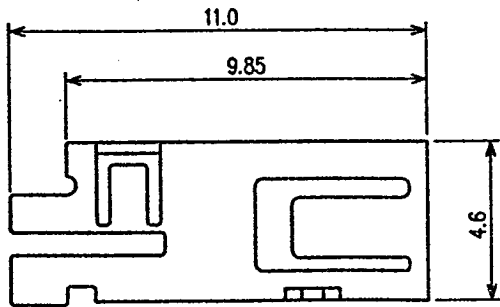
Terminal: 50mΩ max

DIELECTRIC WITHSTANDING VOLTAGE

100V AC/1 min

INSULATION RESISTANCE

1G Ω min



P.C.B LAYOUT

PART NO. MUSBB4F0301Kxx

No.	PART NAME	DESCRIPTION	PLATING	THICKNESS	Q'TY
3	SHELL	PHOSPHOR BRONZE	TIN	0.3mm	1
2	CONTACT	PHOSPHOR BRONZE		0.25mm	4
1	INSULATOR	NYLON 66			1

GENERAL TOLERANCE		DRAWN DATE		
.x +/-0.1 .xx +/-0.05		Jacky Wang DESIGN DATE		
MATERIAL		CHECKED DATE		TITLE MINI USB, B TYPE 4 PIN, SOCKET, SMT
FINISH		K.C. Lin		
SCALE 5:1	UNIT mm	APPROVED DATE	SERIES MUSBA4F	SIZE
SHEET 1 OF 1			DRAWING NO. USBA4F0301K	REV.