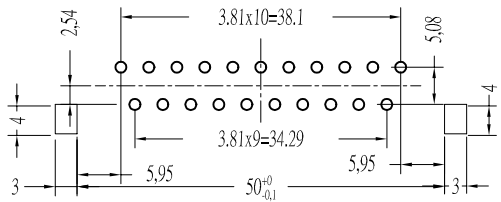


| REV. | ECN NO | LOCATIONS | DESCRIPTION | DATE     | REVISER | APPD |
|------|--------|-----------|-------------|----------|---------|------|
| 01   |        |           | 新制定         | 06.03.22 |         |      |



PCB HOLE PATTERN

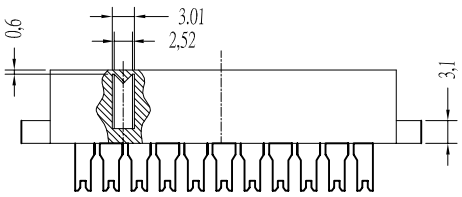
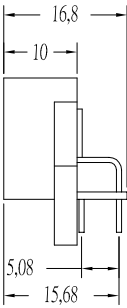
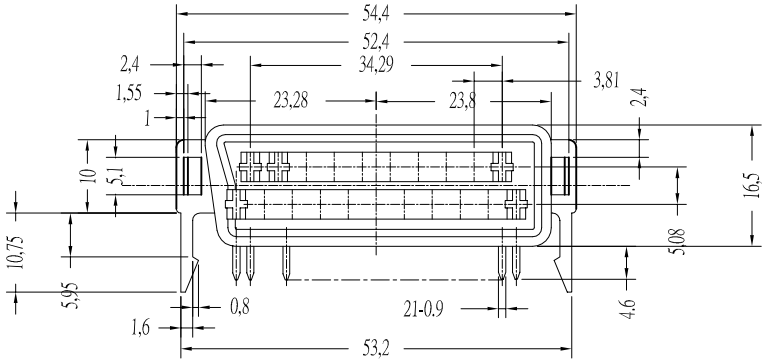
MATERIAL:  
 A.INSULATOR:PC(94V 2)&GLASS FIBER  
 B.CONTACT:BRONZE  
 C.CONTACT PLATED:TIN PLATED


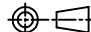
SPECIFICATION:

A.CURRENT RATE:3A/250V AC

CINTACT RESISTANCE:

- A.(BRONZE)11.5M AT 2V $\sim$  DC 100mA
- B.(PHOSPHOR BRONZE)10.9M AT 2V $\sim$  DC 100mA
- C.INSULATOR RESISTANCE:1.5G AT $\sim$  500V DC 1Min
- D.dielectric withstanding:1000V $\sim$  1Min



|                            |        |           |  |  |   |
|----------------------------|--------|-----------|--|--|---|
| DWG NO: <b>SCP-3007(N)</b> |        | MATERIAL: |  |  <b>貝強實業有限公司</b><br><b>PANSTRONG COMPANY LTD.</b> |   |
| MODEL NO:                  |        | FINSH:    |  |  |   |
| UNIT: mm                   | SIZE:  | COLOR:    |  | PART NAME:   |   |
| TOLERANCE UNSPECIFIED      |        | DR: TOMMY |  | PART NO: <b>ST21F3015</b>  |   |
| .x                         | ±0.3   | CHK:      |  | SCALE: 1:1   | SHEET: 1 of 1   |
| .xx                        | ±0.20  | APP:      |  | REV: <b>01</b>   |  |
| .xxx                       | ±0.100 |           |  |  |   |
| ANG.                       | ±1°    |           |  |  |   |