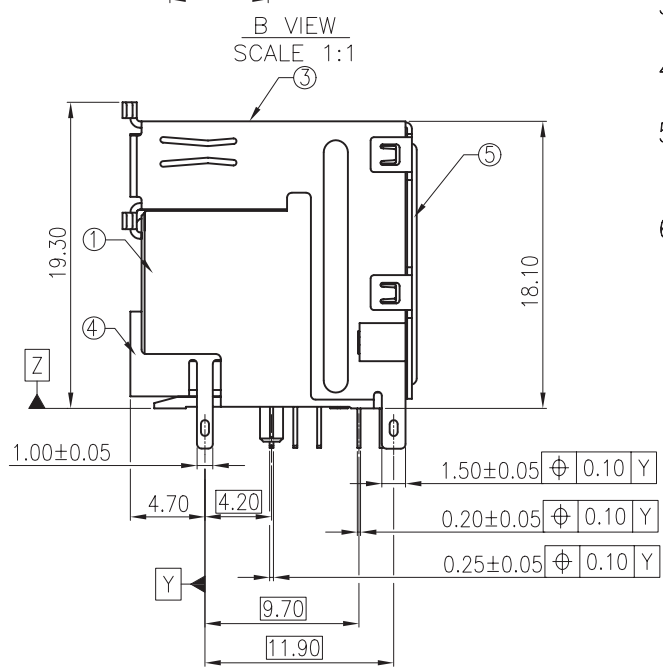
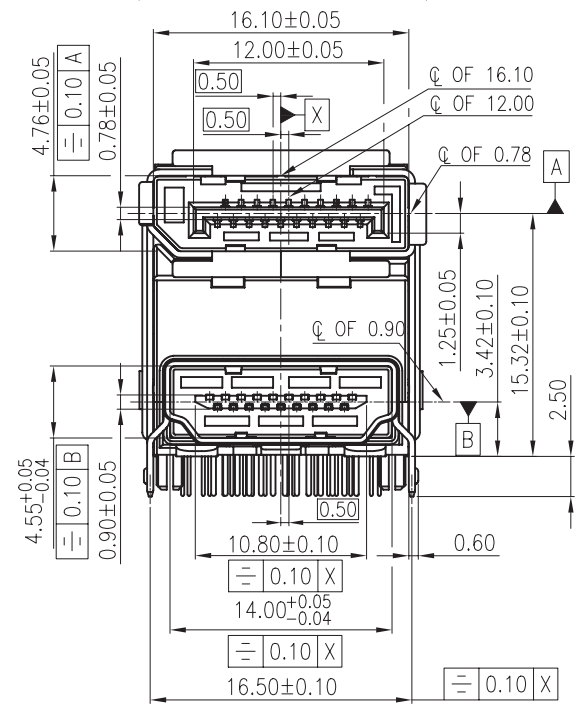
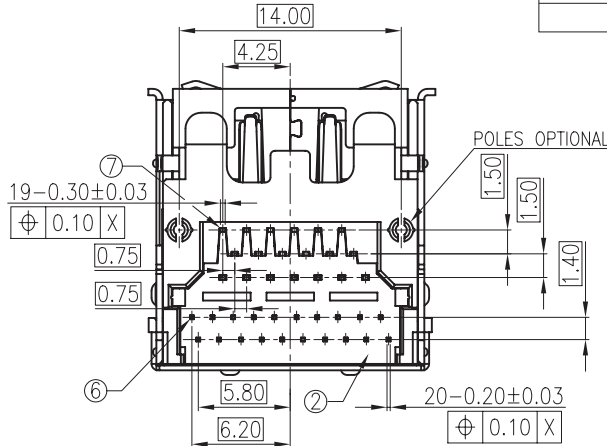
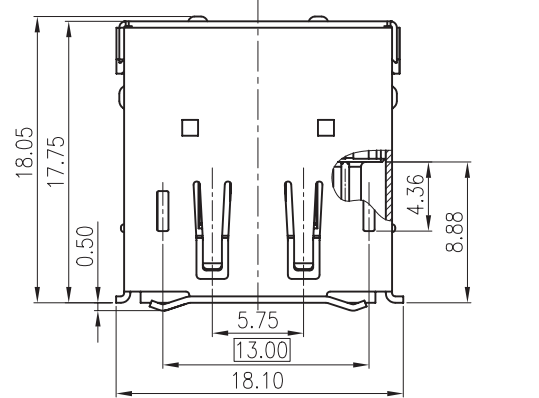


REV	DESCRIPTION	APPROVAL	DATE
A	Initial Release		08'.10.15



ORDERING INFORMATION:

DPHI - FF 01 K 30 A
 1 2 3 4 5 6

1. DISPLAYPORT OVER HDMI CONNECTOR
2. F1: 20 Pin Female over 19 Pin Female Type
3. Processing Type:
01: Through-Hole, Right Angle
4. Insulator Color:
K: Black
5. Contact Gold Plating:
15: 15u" Selective Gold
30: 30u" Selective Gold
6. Metal Shell Type
A: Top Springs with 4 x Through-Hole Shiled Pins

TABLE A:

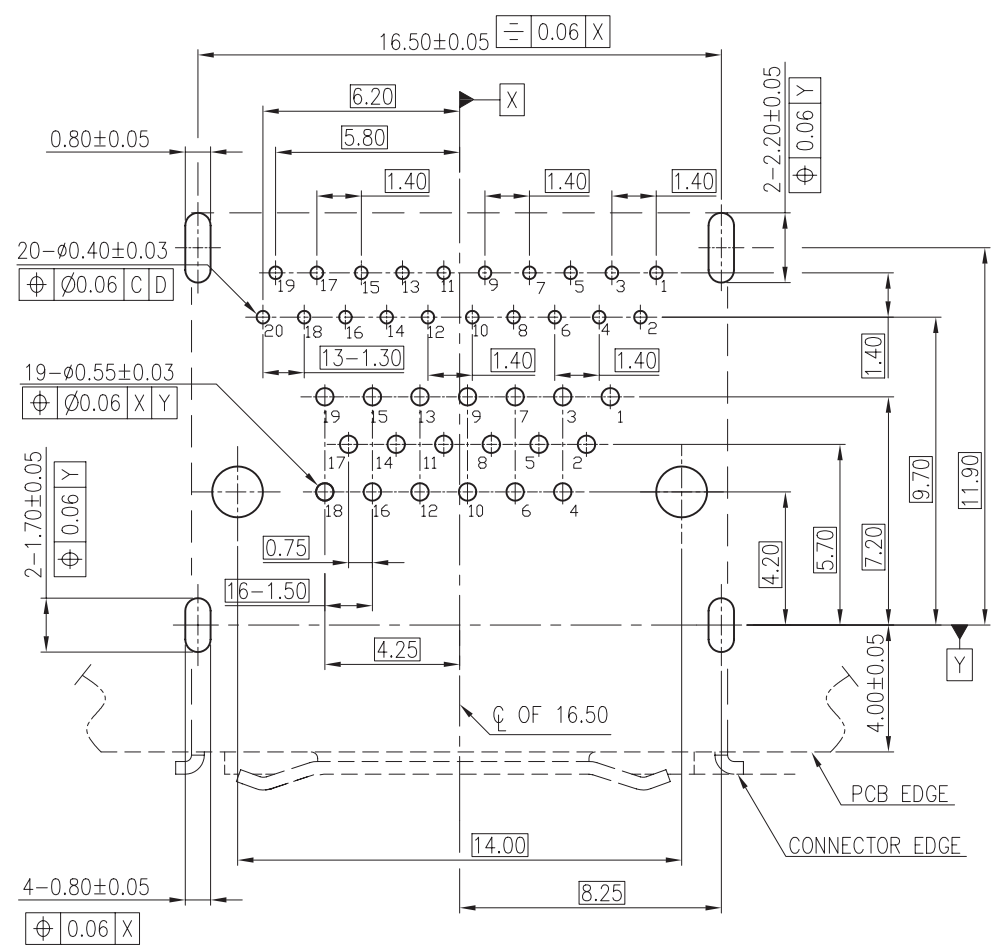
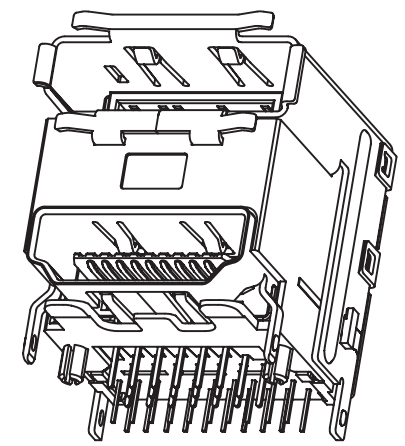
B VIEW

ITEM	PART NAME	Q'TY	MATERIALS	NOTES
⑦	HDMI CONTACT	19	COPPER ALLOY	SELECTIVER Au OVER Ni
⑥	DISPLAYPORT CONTACT	20	COPPER ALLOY	SELECTIVER Au OVER Ni
⑤	BACK SHELL	1	STEEL	Cu UNDER PLATING Ni OVER
④	HDMI SHELL	1	COPPER ALLOY	Cu UNDER PLATING Ni OVER
③	DISPLAYPORT SHELL	1	COPPER ALLOY	Cu UNDER PLATING Ni OVER
②	SPACER	1	THERMOPLASTIC	UL94V-0
①	HOUSING	1	THERMOPLASTIC	UL94V-0

TOLERANCE UNSPECIFIED:
 .000 ±
 .00 ±0.15
 .0 ±0.25
 . ±
 ANGLE ± 1°

	PANSTRONG COMPANY LTD.			DRAWN BY	TOMMY	
				CHECKED		
TITLE:		DISPLAYPORT ADD HDMI COMBO RECETACLE DIP TYPE CONNECTOR			APPROVED	
PART NO:		DPHI-FF01K			DRAW NO	
File Number:					UNIT	mm
SCALE	3:1	REV	A			

REV	DESCRIPTION	APPROVAL	DATE
A	Initial Release		08'.10.15



RECOMMENDED PCB LAYOUT (SCALE 2:1)
THICKNESS=1.6 \pm 0.10mm

NOTE:

- 1. MECHANICAL:
 - 1.1 INSERTION FORCE:
 - 1.1.1 HDMI:44.1N MAX
 - 1.1.2 DISPLAYPORT:44.1MAX
 - 2.1 WITHDRAWAL FORCE:
 - 2.1.1 HDMI:9.8N MIN,39.2N MAX
 - 2.1.2 DISPLAYPORT:9.8N MIN,39.2N MAX
- 2.ELECTRICAL:
 - 2.1 CONTACT CURRENT RATING:
 - 2.1.1 HDMI:0.5A MAX
 - 2.1.2 DISPLAYPORT:0.5A MAX
 - 2.2 VOLTAGE RATING:
 - 2.2.1 HDMI:40V AC(RMS)
 - 2.2.2 DISPLAYPORT:40V AC(RMS)
- 3. ENVIRONMENTAL:
 - 3.1 OPERATING TEMPERATURE:
 - 3.1.1 HDMI:-25° TO +85°
 - 3.1.2 DISPLAYPORT:-25° TO +85°
 - 2.3 WITHSTANDING VOLTAGE(MATED):
 - 2.3.1 HDMI:300V AC(RMS)
 - 2.3.2 DISPLAYPORT:300V AC(RMS)
 - 2.4 INSULATION RESISTANCE(MATED):
 - 2.4.1 HDMI:150V DC
 - 2.4.2 DISPLAYPORT:150V DC

TOLERANCE UNSPECIFIED:	
.000	\pm
.00	± 0.15
.0	± 0.25
	\pm
ANGLE	$\pm 1^\circ$

PANSTRONG COMPANY LTD.				DRAWN BY		TOMMY	
				CHECKED			
TITLE:		DISPLAYPORT ADD HDMI COMBO RECETACLE DIP TYPE CONNECTOR				APPROVED	
PART NO:		DPHI-FF01K				DRAW NO	
File Number:							
SCALE	3:1	REV	A	UNIT	mm		