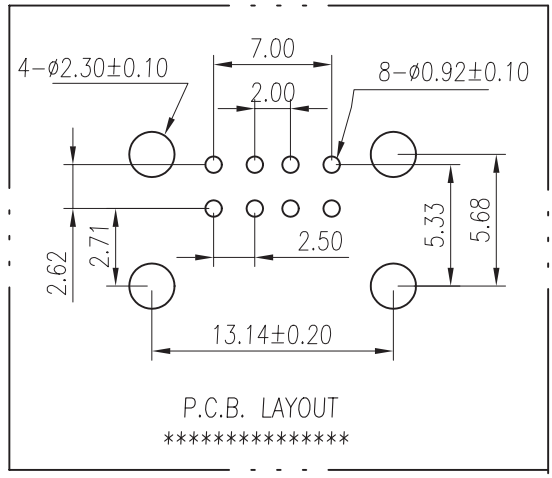
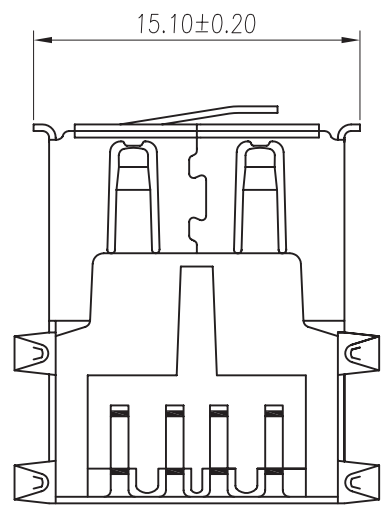
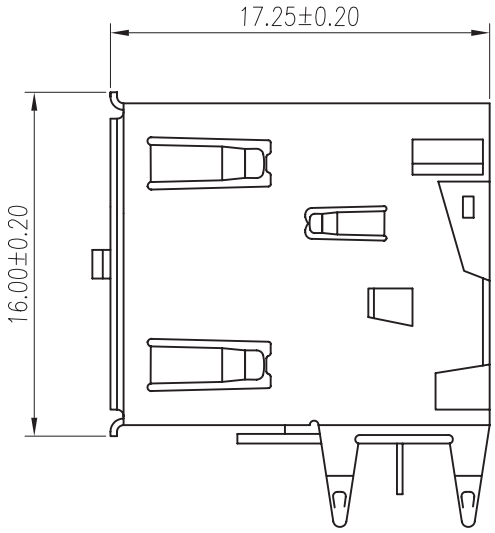
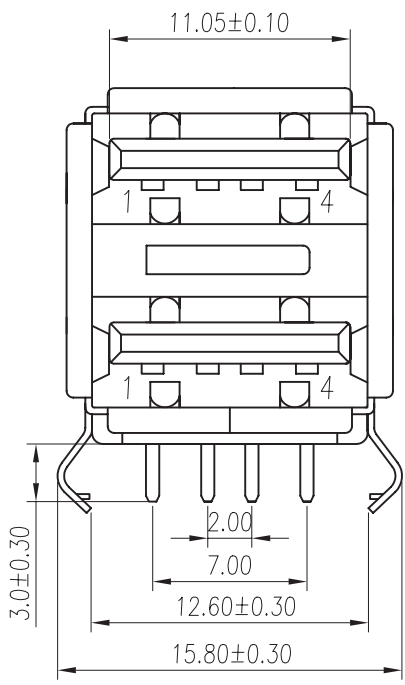


REV	DESCRIPTION	APPROVAL	DATE
A	Initial Release		03'.02.10



TOLERANCE UNSPECIFIED	
.x	±0.3
.xx	±0.20
.xxx	±0.100
ANG.	±1°

Note:
 1.Material:
 1.1 Insulator: High temperature thermoplastic with g.f,UL94V-0
 1.2 Contact: Copper alloy, t=0.25mm
 1.3 Shell: Spcc, t=0.30mm
 2.Specification:
 2.1 Current rating: 1.5A MAXIMUM
 2.2 Dielectric withstanding voltage: 750 V(ac) for 1 min.
 2.3 Contact resistance: 30 m Max.
 2.4 Insulation resistance: 1000 m Min.
 2.5 Total mating force: 4.0 Kgf Max.
 2.6 Total unmating force: 1.0 Kgf Min.
 2.7 Temperature range: -55°C ~ 85°C

TABLE A: PRODUCT NUMBER CODE:

UAR01B - 4 F x 2 - 2 * * *
 1 2 3 4 5 6

- USB A, RECEPTACLE, RIGHT ANGLE, DOUBLED DECK BACK SHIELD
- 4:4 POSITION
- F:FEMALE
- COLOR OF HOUSING
K:BLACK
W:WHITE
- PLATING OF CONTACT:
03: 3u" GOLD PLATING
50: 50u" GOLD PLATING
- PLATING OF SHELL
J: NI PLATED
C: NI/TIN W/O LOGO
**MATERIAL OF INSULATION: PBT

RoHS COMPLIANT

貝強實業有限公司 PANSTRONG COMPANY LTD.	DRAWN BY		TOMMY	
	CHECKED			
TITLE:	USB-A TYPE P.C.B(F)90°		APPROVED	
PART NO:	UAR01B-4FX2-2		DRAW NO	
File Number:				
SCALE	3:1	REV	A	UNIT mm