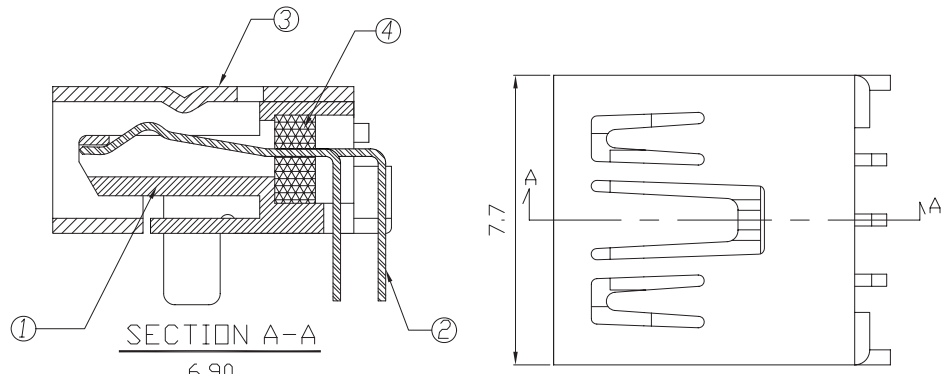
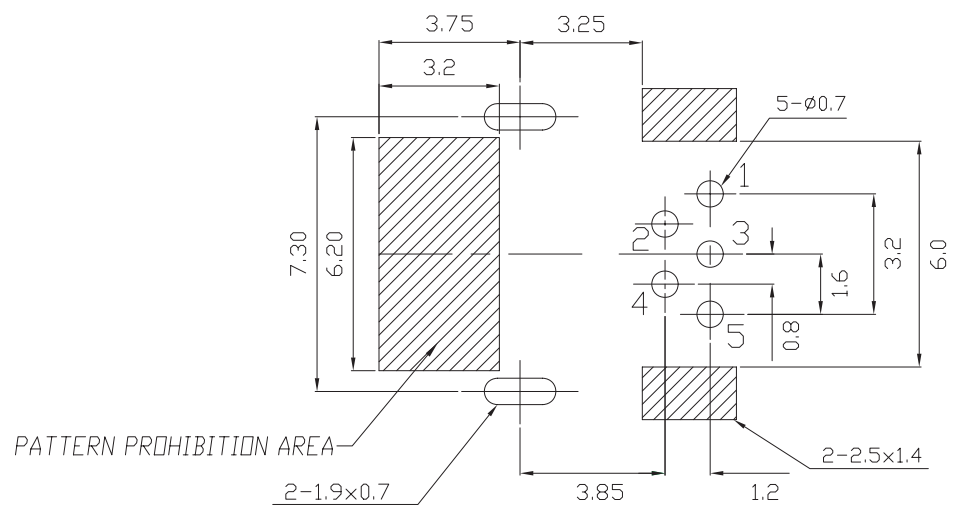
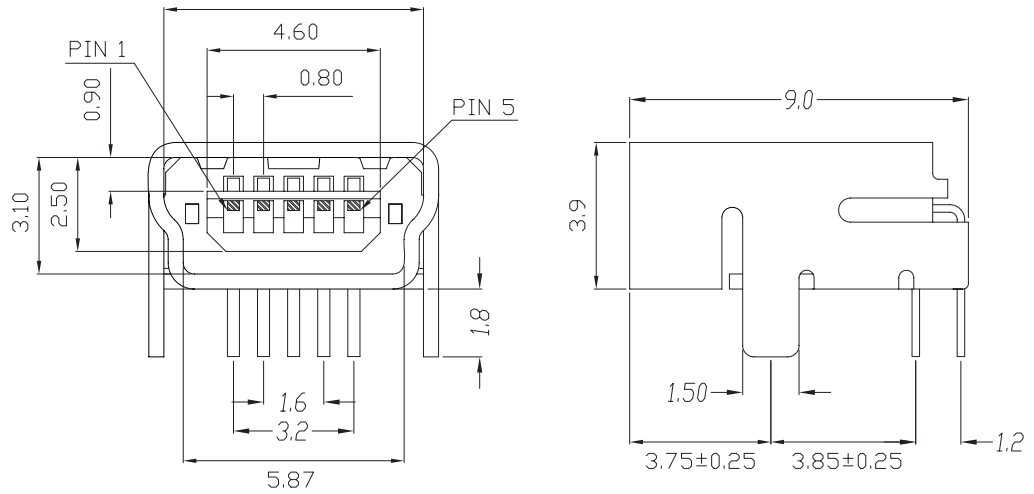


REV	DESCRIPTION	APPROVAL	DATE
A	新制定		07.01.12



Material  
 Connector  
 Contact: Plug-Phosphor Bronze, Selective Gold over Nickel.  
 Receptacle-Phosphor Bronze, Selective Gold over Nickel.  
 Housing: Plug-LCP, with 30% Glass-Fiber Reinforced UL94V-0  
 Receptacle-NYLON9T with 30% Glass-Fiber Reinforced UL94V-0  
 Shell: Plug-Brass, 100u" Nickel plated.  
 Receptacle-Brass, 100u" Nickel plated.

Rating:  
 Voltage: 30 VAC(rms).  
 Current: 1 A Max.  
 Operating temperature: -55°C~+85°C



NO.	NAME	MATERIAL	FINISH	Q'TY	REMARK
1	HOUSING	NYLON PA9T G.F	BLACK	1	
2	PIN TERM.	PBS T:0.2	GOLD/TIN PLATED	5	Gold:30u"; NI:40~60u"; TIN:120u" (100% pure Tin of lead free plating)
3	SHELL	BRASS T:0.4	NICKEL PLATED	1	Ni:2~3u
4	CENTER PASTERN	NYLON PA9T G.F	BLACK	1	

RECOMMENDED PCB PATTERN LAYOUT  
 (PCB THICKNESS:0.8±0.1)

PART NO. MUSB B 5 F 01 01 K 30  
 1 2 3 4 5 6 7

- Type: A, B, AB
- No. of Contact: 5 Positions
- F: Socket
- 01: Through Hole
- 01: Right Angle 02: Vertical
- Color of Insulation: K Black, W White
- Plating of Contact: 30u" Gold

TOLERANCE	
X.	±0.38
.X	±0.25
.XX	±0.13
.XXX	±0.05

RoHS Compliant

<b>貝強實業有限公司</b> <b>PANSTRONG COMPANY LTD.</b>				DRAWN BY		TOMMY	
				CHECKED			
TITLE:		USB MINI B CONNECTOR RIGHT ANGLE, THROUGH HOLE TYPE				APPROVED	
PART NO:		MUSBB5F0101K				DRAW NO	
File Number:							
SCALE	FREE	REV	A	UNIT	mm		