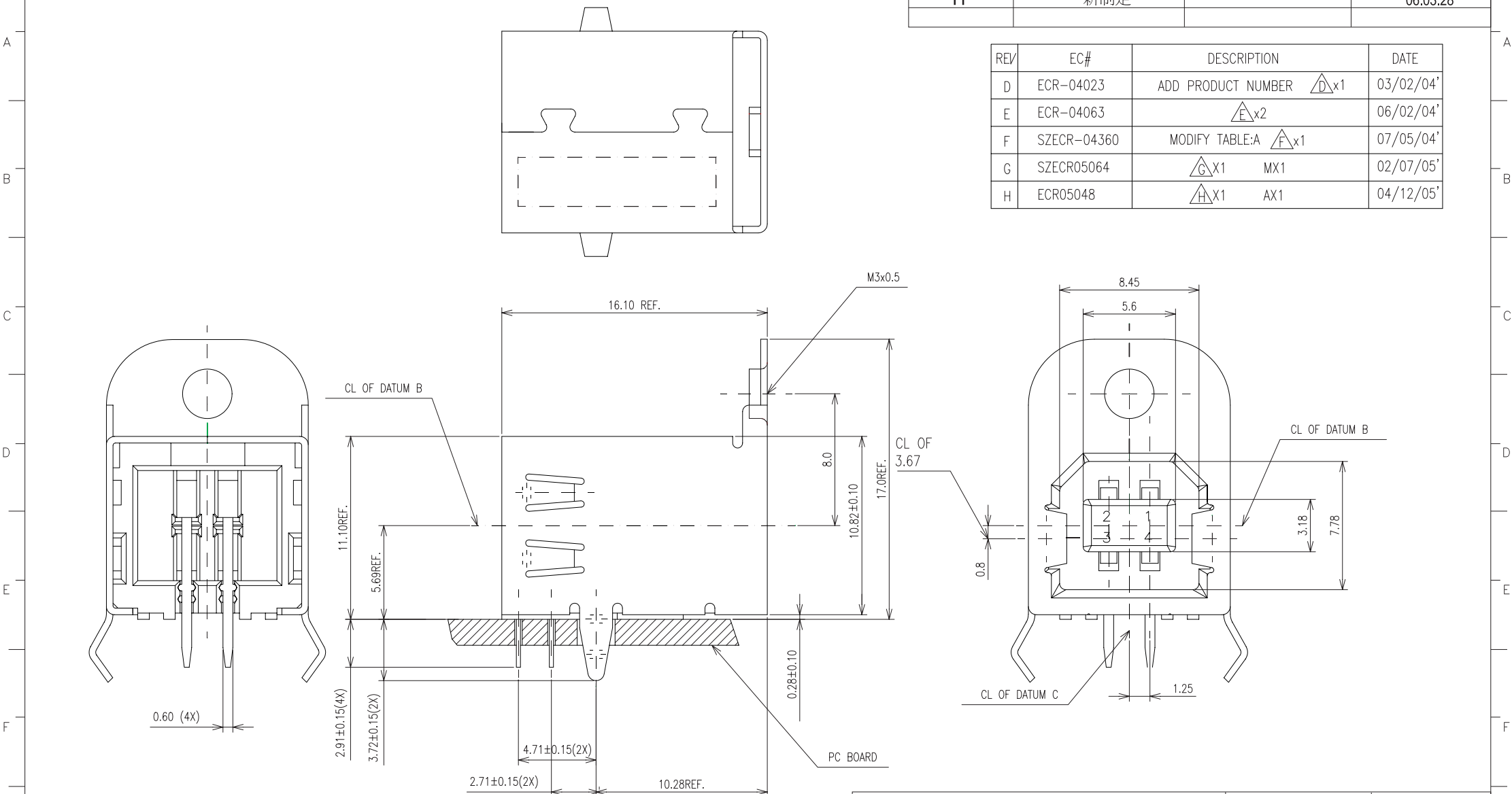

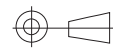


REV	DESCRIPTION	APPROVAL	DATE
H	新制定		06.03.28

REV	EC#	DESCRIPTION	DATE
D	ECR-04023	ADD PRODUCT NUMBER $\triangle D \times 1$	03/02/04'
E	ECR-04063	$\triangle E \times 2$	06/02/04'
F	SZECR-04360	MODIFY TABLE:A $\triangle F \times 1$	07/05/04'
G	SZECR05064	$\triangle G \times 1$ MX1	02/07/05'
H	ECR05048	$\triangle H \times 1$ AX1	04/12/05'



ROHS COMPLIANT

 <b>貝強實業有限公司</b> <b>PANSTRONG COMPANY LTD.</b>				DRAWN BY		<b>TOMMY</b>	
				CHECKED			
TITLE:		USB CONNECTOR, SERIES B, WITH SCREW 4 POSITIONS, R/A, THUR-HOLE(CUSTOMER DRAWING)				APPROVED	
PART NO:		<b>UBR01G-4F** J</b>				DRAW NO	
DRAW. BOX NO:							
SCALE		Free	REV	H	UNIT	mm	

REV	DESCRIPTION	APPROVAL	DATE
H	新制定		06.03.28

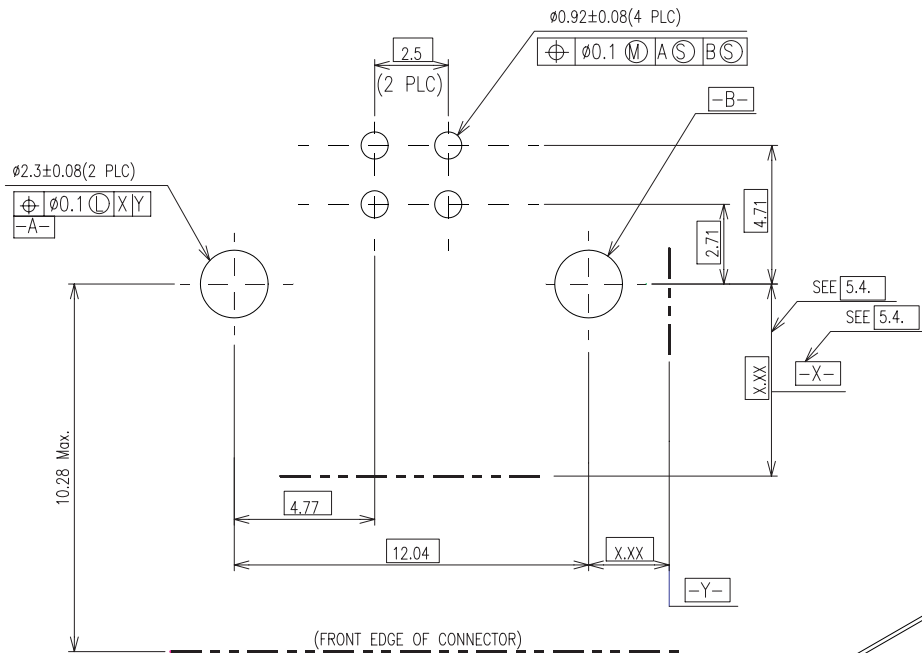
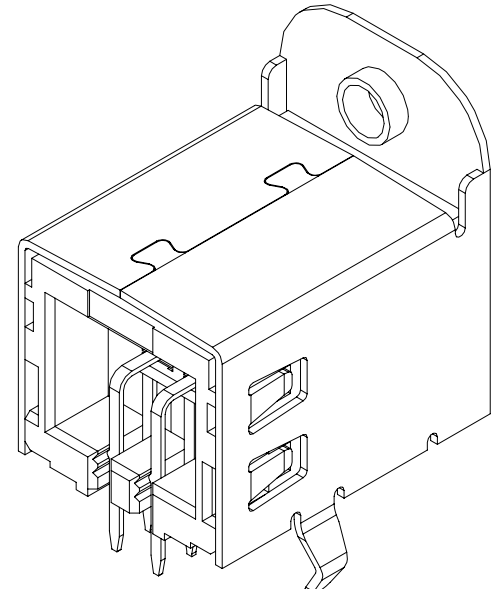


FIGURE A: PCB FOOTPRINT FOR RECEPTACLE. (THROUGH-HOLE)




- NOTES :**
- RATING :
    - VOTAGE : 30 VAC (R.M.S.)
    - CURRENT : 1.5A MAXIMUM
    - TEMPERATURE : -20°C TO +65°C(REF. TO CSP-UAC10-00-00)
  - ELECTRICAL CHARACTERISTIC :
    - CONTACT RESISTANCE : 30 MILLIOHMS MAXIMUM INITIAL
    - INSULATION RESISTANCE : 1,000 MEGOHMS MINIMUM
    - DIELECTIC WITHSTANDING VOLTAGE : 500 VAC AT SEA LEVEL
    - CAPACITANCE : 2 PICOFARADS MAXIMUM AT 1KHZ
  - MATERIALS :
    - SHELL : COPPER ALLOY
    - HOUSING : THERMOPLASTIC, GLASS FILLED, 130°C, UL 94V-0 RATED
    - CONTACT : COPPER ALLOY
  - FINISHES :
    - SHELL : NICKEL+TIN W/O LOGO
    - CONTACT : SELECTIVE GOLD PLATING (REFER TO "TABLE A")
  - OTHERS :
    - RECOMMENDED PC BOARD THICKNESS OF 1.57mm
    - THIS ALLOW FOR A PANEL THICKNESS OF 2.67mm MAXIMUM, IF THE RECEPTACLE CONNECTOR IS MOUNTED BEHIND A PANEL.
    - RECOMMENDED PC BOARD MOUNTING DIMMENSION : REFER FIGURE A 5.4 DATUM AND BASIC DIMMENSIONS ESTABLISHED BY CUSTOMER.
    - PRODUCT NUMBER CROSS REFERENCE :REFER TO TABLE A
    - TORQUE : 3Kg-Cm(Min.)

UBR01G - 4 F W 05 J  
 1 2 3 4 5 6

- Type: B, Through Hole, Vertical
- No. of Contact: 4 Positions
- F: Socket
- Color of Insulation: W White, K Black
- Plating of Contact: 05: 5u" Gold  
30: 30u" Gold
- Plating of Shell: C: Bright Tin J: Nickel

ROHS COMPLIANT

 <b>貝強實業有限公司</b> <b>PANSTRONG COMPANY LTD.</b>				DRAWN BY		<b>TOMMY</b>	
				CHECKED			
TITLE:		USB CONNECTOR, SERIES B, WITH SCREW 4 POSITIONS, R/A, THUR-HOLE(CUSTOMER DRAWING)				APPROVED	
PART NO:		<b>UBR01G-4F *** J</b>				DRAW NO	
DRAW. BOX NO:							
SCALE	Free	REV	H	UNIT	mm	