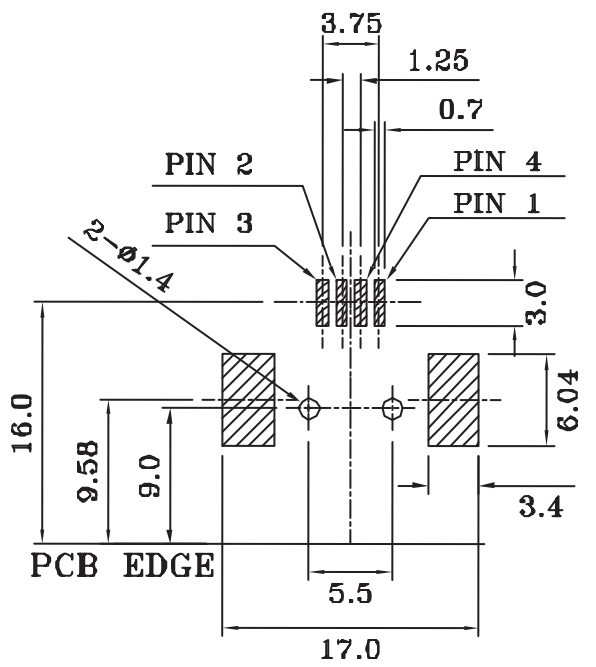
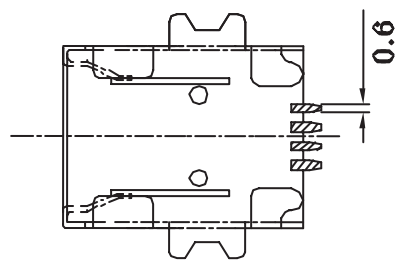
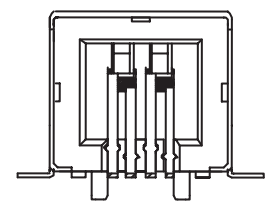
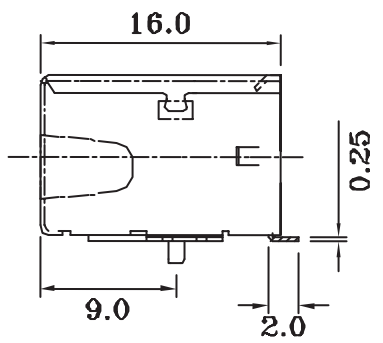
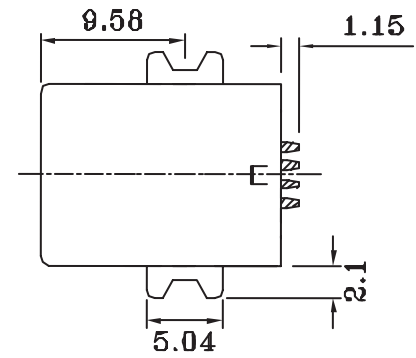
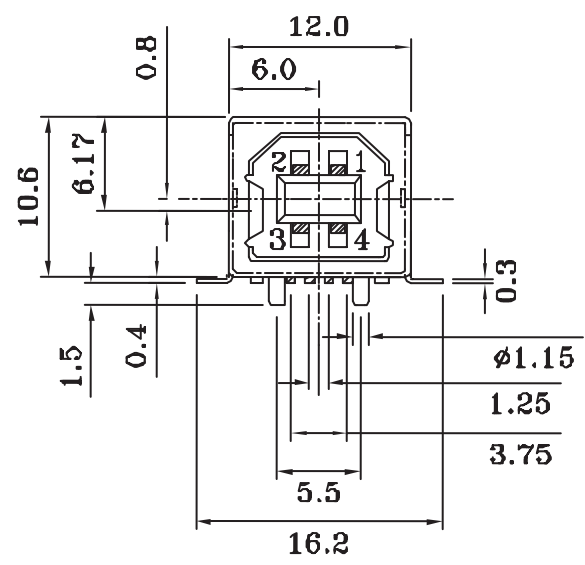


7	8	9	10	11
REV	DESCRIPTION	APPROVAL	DATE	
A	新制定		05.11.02	




(COMPONENT SIDE)
PCB LAYOUT

ROHS COMPLIANT

ELECTRICAL CHARACTERISTICS:

- 1.Contact resistance: 30m ohm. max.
- 2.Insulation resistance: 1000M ohm min.
- 3.Withstand voltage: 750V AC for one minute
- 4.Rated voltage and current: 1.5A MAXIMUM at 30VAC (R.M.S.)
- 5.Dielectric withstanding voltage: 500V AC/1 minute without breakdown.

NO.	NAME	MATERIAL	FINISH	REMARK	Q'TY
1	HOUSING	NYLON PA9T G.F	WHITE		1
2	PIN TERM.	PHOS. BRONZE T:0.25	GOLD/TIN PLATED	Solder: 6 Cu, 30Ni40-60 Sn, 100% pure Ni of lead free plating	4
3	SHELL	BRASS T:0.3	NICKEL PLATED	NI:2~3u	1

 貝強實業有限公司 PANSTRONG COMPANY LTD.	DRAWN BY			TOMMY	
	CHECKED				
TITLE:	USB. TYPE B FLAT 90° SMT			APPROVED	
PART NO:	UBR03-4FW01J-2			DRAW NO	
DRAW. BOX NO:					
SCALE	2:1	REV	A	UNIT	mm

