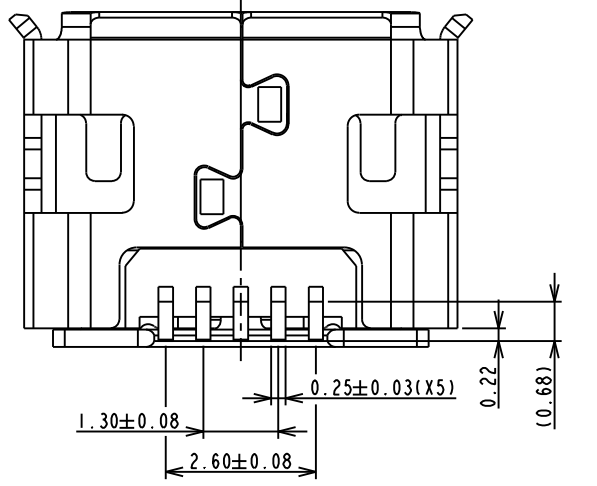
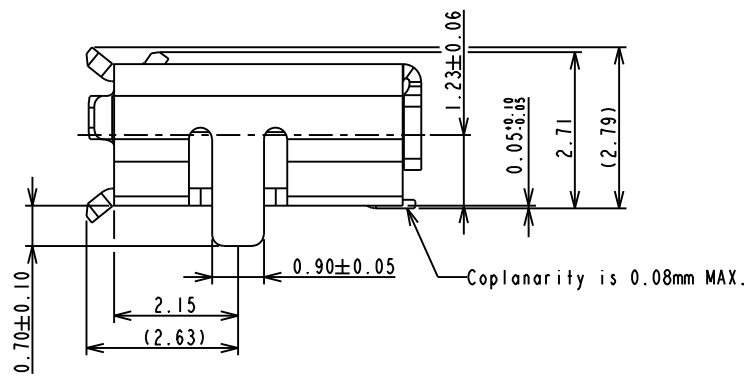
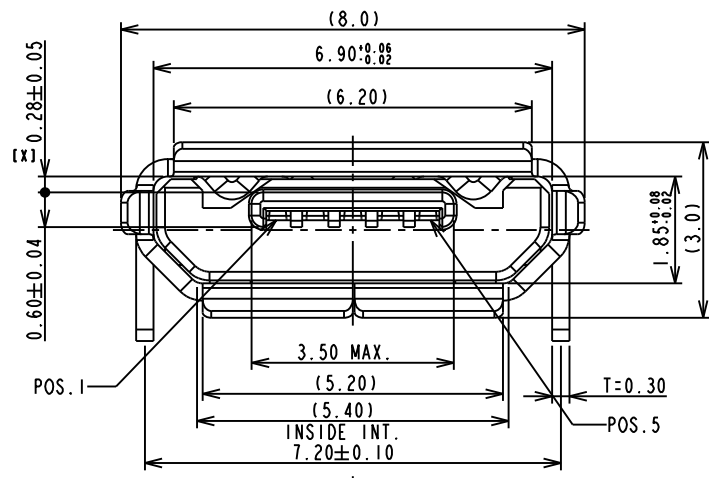
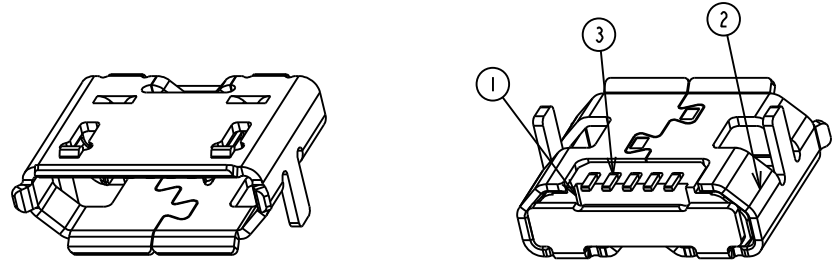
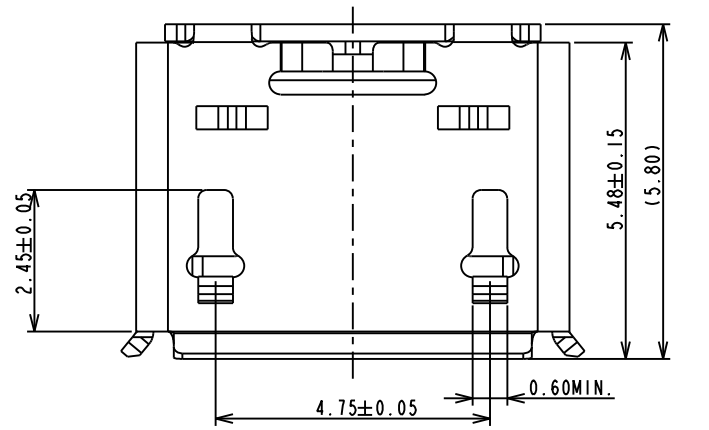


HALOGEN FREE

REV	DESCRIPTION	APPROVAL	DATE
A	Initial Release		09'.11.25



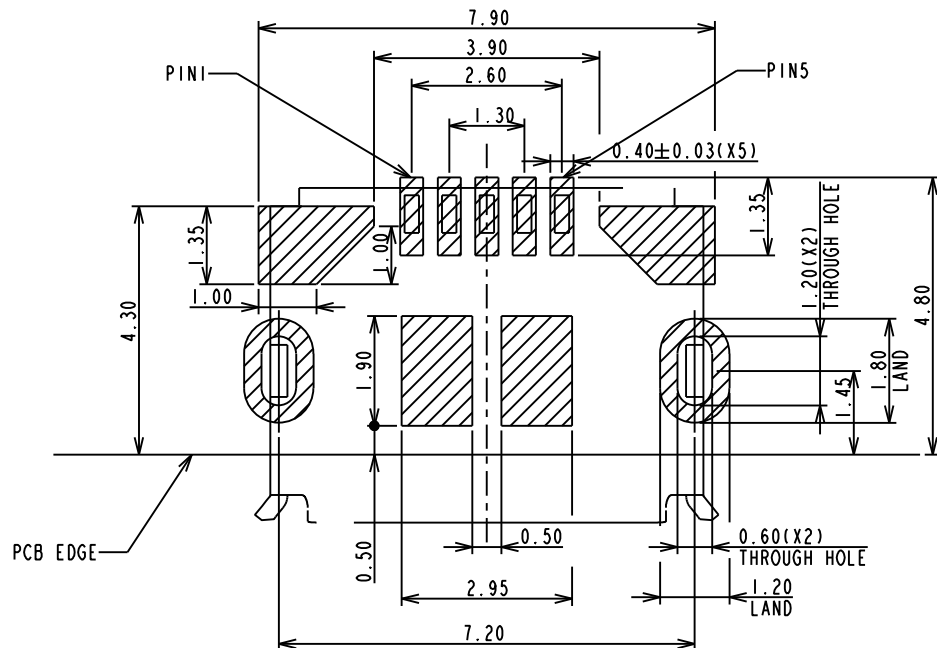
3	CONTACT	5	COPPER ALLOY/30u"Au PLATED
2	SHELL	1	STAINLESS STEEL/TIN PLATED
1	HOUSING	1	HI TEMP. G.F
ITEM	NAME	Q'TY	MATERIAL / FINISH

TOLERANCES UNLESS OTHERWISE SPECIFIED	
GENERAL	X ±0.38
	.X ±0.25
	.XX ±0.13
	.XXX ±0.05
ANGLES	
	X° ±3.0°
	.X° ±2.0°
	.XX° ±1.0°

<b>PANSTRONG COMPANY LTD.</b>		DRAWN BY		TOMMY	
		CHECKED			
TITLE:		MICRO USB B TYPE CONNECTOR RECEPTACLE R/A SMT TYPE			
PART NO:		MMUBR03T-5FK30			
File Number:					
SCALE	/	REV	A	UNIT	mm

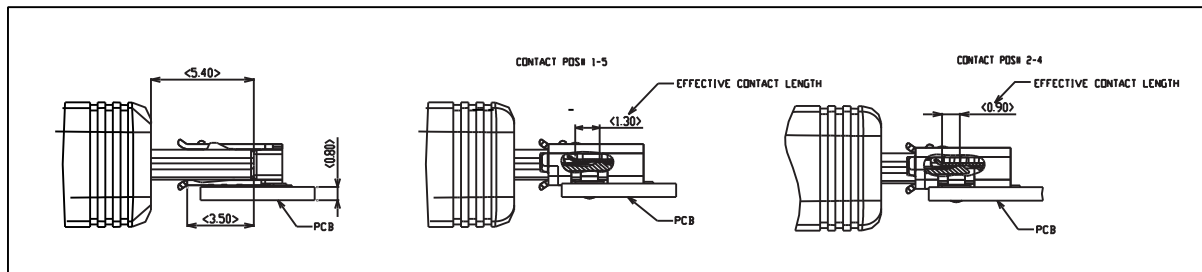
HALOGEN FREE

REV	DESCRIPTION	APPROVAL	DATE
A	Initial Release		09'.11.25



RECOMMENDED PCB LAYOUT TOLERANCE ±0.05mm

MAIN VIEW



- NOTE:
- Electrical Specification:
    - Contact Resistance:
      - Initial: 30mΩ Maximum.
      - After Durability: Change(detail) of + 10mΩ.
    - Isolation Resistance:
      - Initial: 100MΩ Minimum
      - After testing: 100MΩ Minimum.
    - Dielectric Withstanding Voltage:
      - 100V AC for one minute.
  - Mechanical Specification:
    - Mating Force:
      - Initial: 35N Maximum
      - After durability: 35N Maximum
    - Unmating Force:
      - Initial: 8N Minimum.
      - After durability: 8N Minimum
    - Durability:
      - 1000 cycles (rated: 500cycles/hours).
  - The dimension specified in ( ) is only for referrence. please refer to the test result for the conductivity

TABLE A: PRODUCT NUMBER

MMUBR03T- 5 F K 30 T R  
1 2 3 4 5 6

MMUBR03T:Micro USB B Type, SMT R/A, Through Hole Shield Pins.

- Contact Position: 5 Pins
- F: Socket
- Insulator Color:
  - K: Black(PA-6T)
- Contact Plating:
  - 30u": Gold min. on Contact Area
  - 2u": Gold min. on Solder Tail
- Shell Plating:
  - T: Matte Tin 150u" min. over Nickel 50u" min
- Package:
  - R: Tape & Reel

TOLERANCES UNLESS OTHERWISE SPECIFIED	
GENERAL	X ±0.38
	.X ±0.25
	.XX ±0.13
	.XXX ±0.05
ANGLES	X° ±3.0°
	.X° ±2.0°
	.XX° ±1.0°

	PANSTRONG COMPANY LTD.			DRAWN BY	TOMMY
				CHECKED	
TITLE:	MICRO USB B TYPE CONNECTOR RECEPTACLE R/A SMT TYPE			APPROVED	
PART NO:	MMUBR03T-5FK30			DRAW NO	
File Number:				UNIT	mm
SCALE	/	REV	A		