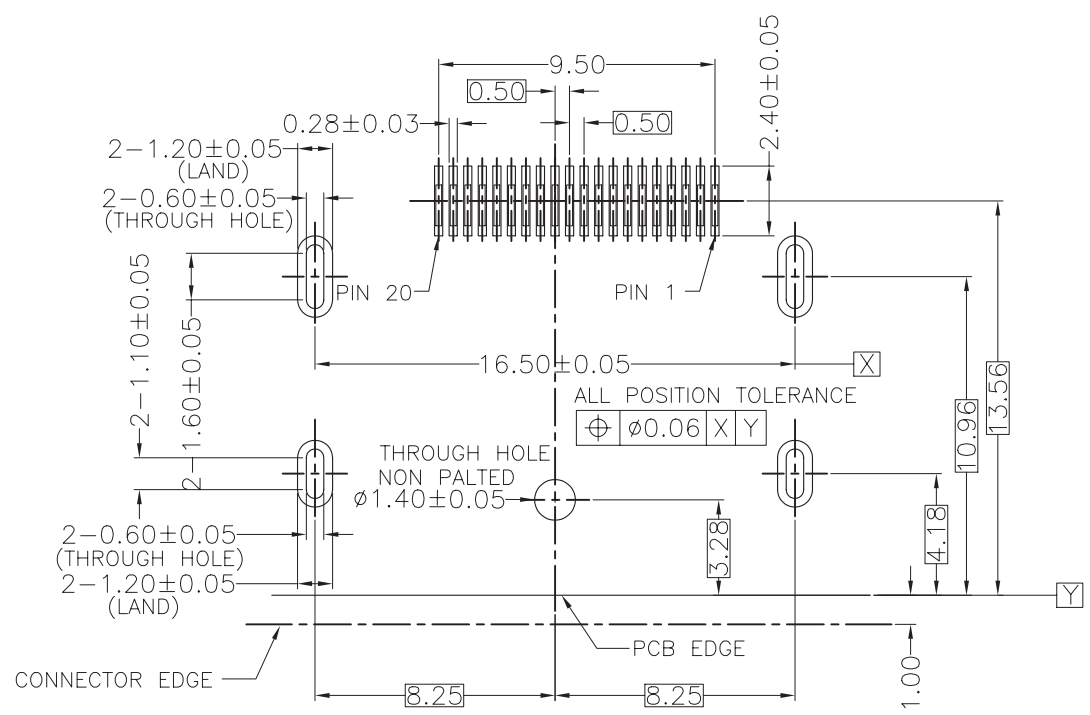
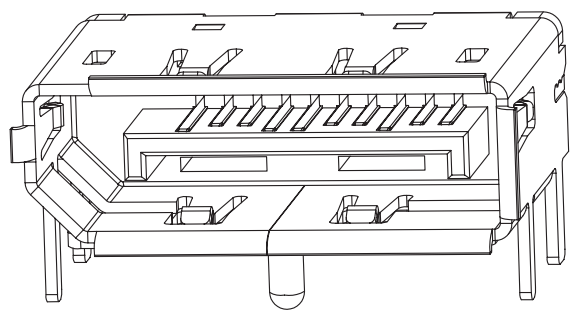


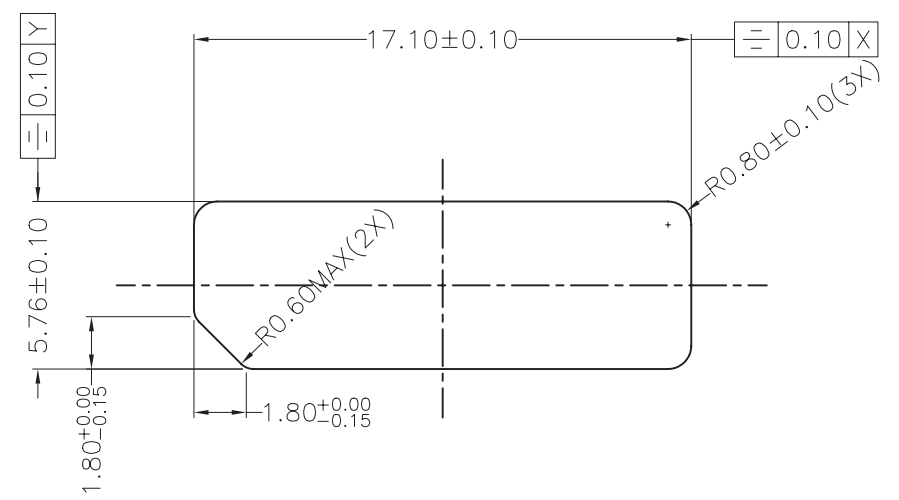
REV	DESCRIPTION	APPROVAL	DATE
A	Initial Release		07.06.07



RECOMMENDED PCB LAYOUT (THICKNESS=1.6±0.15mm)



TOLERANCE UNSPECIFIED	
•••••	±0.15
••••	±0.20
•••	±
••	±
•	± 1°



REFERENCE PANEL CUT OUT DIMENSIONS

REMARKS:

THE ▼ MARKER DIMENSIONS ARE IMPORTANT AND MUST BE CONTROLLED BY QC

PANSTRONG COMPANY LTD.				DRAWN BY		TOMMY	
				CHECKED			
TITLE:		DISPLAYPORT RECEPTACLE SMT TYPE		APPROVED			
PART NO:		DSP03-20FK****		DRAW NO			
File Number:							
SCALE	/	REV	A	UNIT	mm		