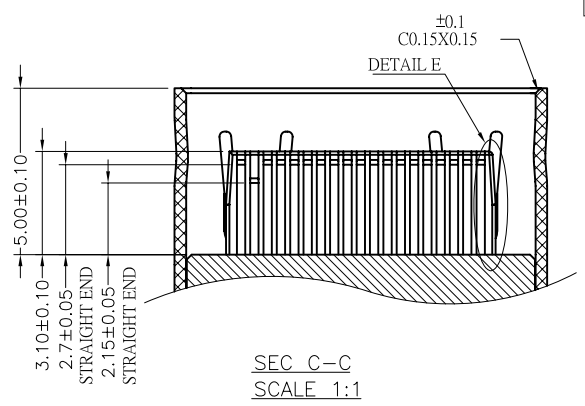
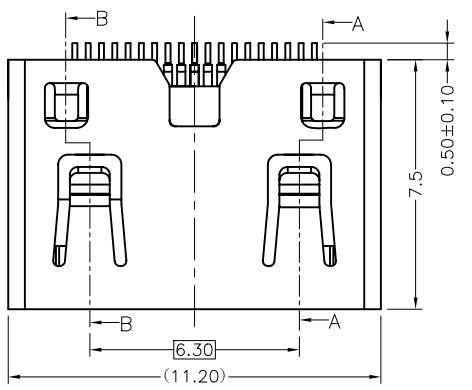


REV	DESCRIPTION	APPROVAL	DATE
0.2	新制定		07'.03.12

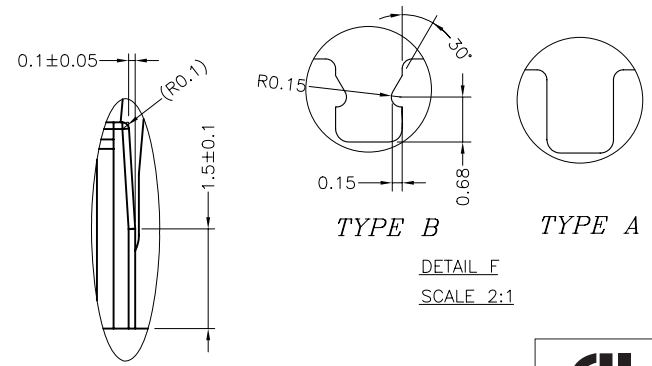
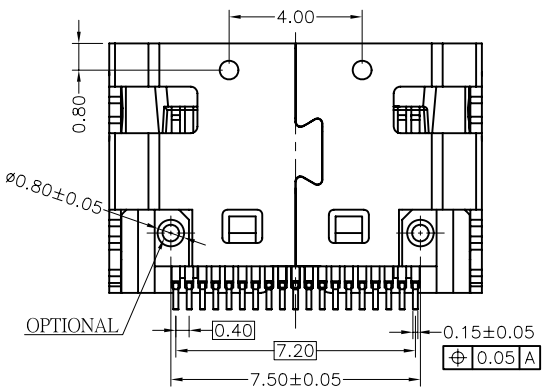
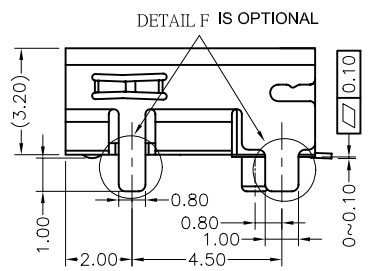
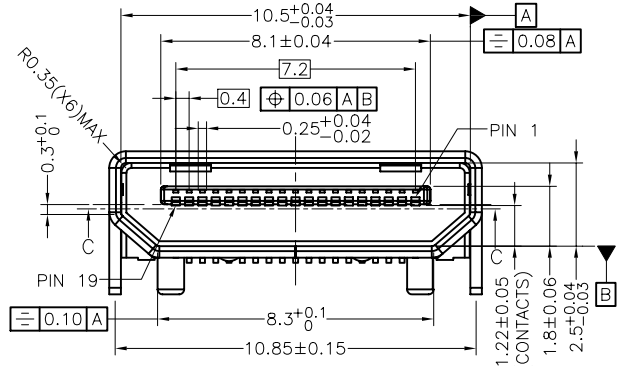


Ordering Information:

MHI 03R - 19 F K 30 A 1
1 2 3 4 5 6 7 8

MHI:Micro HDMI Connectors:

- 1.03 : SMT Type
- 2.R : Right Angle Type
- 3.Number of Contacts:
19 : 19 Pins
- 4.Connector Type
F : Socket
- 5.Color of Housing:
K : Black Material LCP
- 6.Plating on Contact Pins:
Material : Phosphor Bronze
05 : Gold Flash over 30u" Nickel Underplating
15 : 15u" Gold in Front Contacts and Gold Flash in Solder Area
30 : 30u" Gold in Front Contacts and Gold Flash in Solder Area
- 7.Metal Board Lock Type
A or B refer to the drawing
- 8.Locating Posts:
0 : Without 1 : With

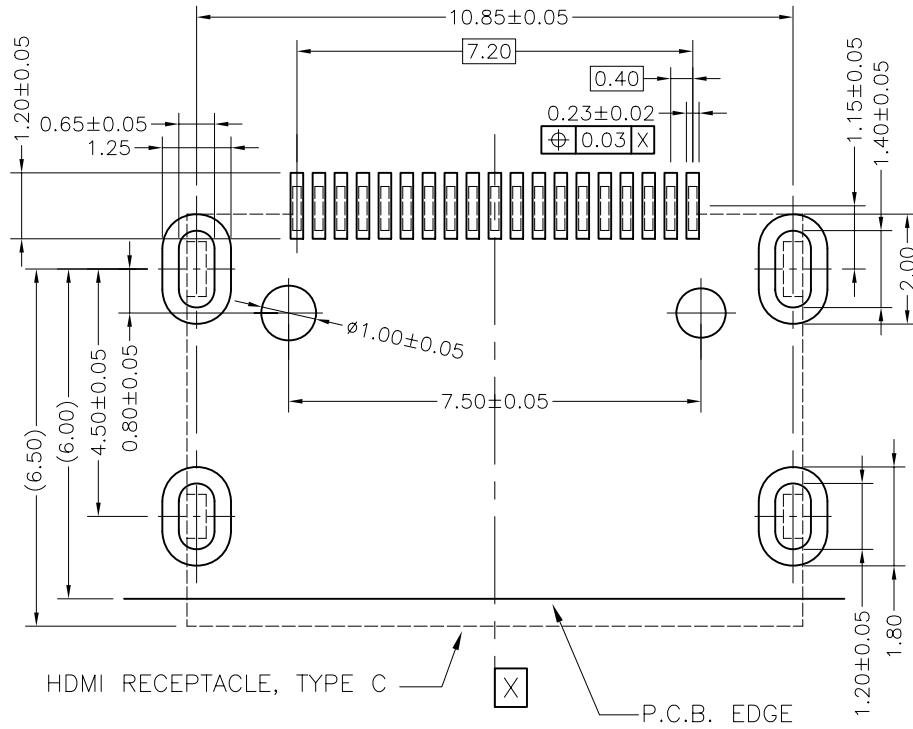


RoHS Compliant

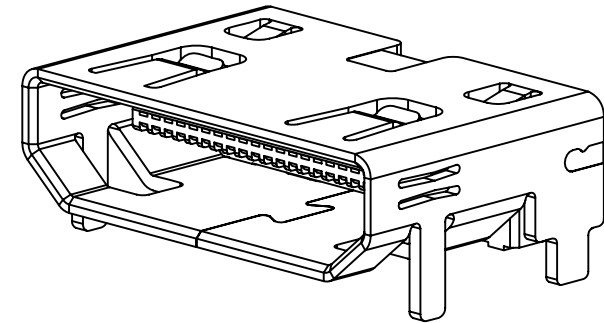
TOLERANCE UNSPECIFIED	
∴	±
∴∴	±0.15
∴∴∴	±0.20
∴∴∴∴	±0.30
ANGLE	± 1°

貝強實業有限公司 PANSTRONG COMPANY LTD.	DRAWN BY		TOMMY	
	CHECKED			
TITLE:	HDMI RECEPTACLE, TYPE C PITCH 0.40 SMT TYPE		APPROVED	
PART NO:	MHI03R-19FK30A1		DRAW NO	
File Number:				
SCALE	1:1	REV	0.2	UNIT mm

REV	DESCRIPTION	APPROVAL	DATE
0.2	新制定		07.03.12



RECOMMENDED PCB LAYOUT



RoHS Compliant

SPECIFICATIONS

OPERATING CURRENT: 0.5A MAX.

OPERATION TEMPERATURE: -25°C TO +85°C

DIELECTRIC WITHSTANDING VOLTAGE:

500Volts AC BETWEEN ADIACENT TERMINAL(UNMATE)

300Volts AC BETWEEN ADIACENT TERMINAL(MATE)

INSULATION RESISTANCE:

100Mohm MIN.(UNMATED);10Mohm MIN.(MATED)

TOLERANCE	UNSPECIFIED
∴∴∴	±
∴∴	±0.15
∴	±0.20
∴	±0.30
∠	± 1°

 貝強實業有限公司 PANSTRONG COMPANY LTD.	DRAWN BY	TOMMY
	CHECKED	
TITLE:	HDMI RECEPTACLE, TYPE C PITCH 0.40 SMT TYPE	
PART NO:	MHI03R-19FK30A1	
File Number:		
SCALE	1:1	REV 0.2
UNIT	mm	