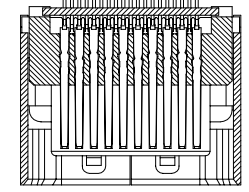
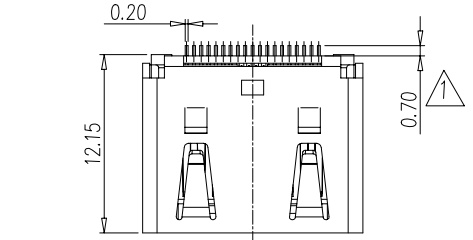
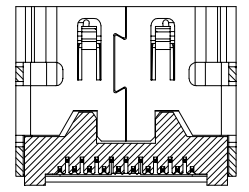


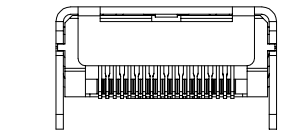
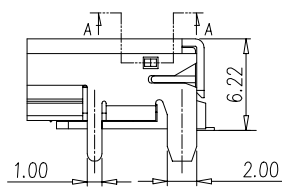
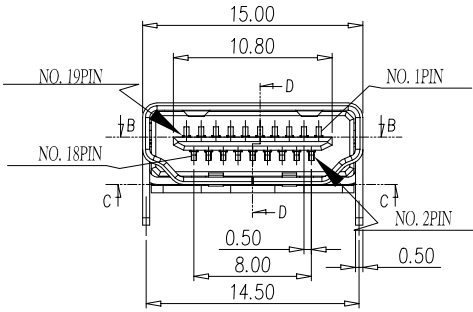
REV.	ECN NO	LOCATIONS	DESCRIPTION	DATE	REVISED	APPD
A/0			新制定	06.04.26		



SEC B-B
SCALE 1:1



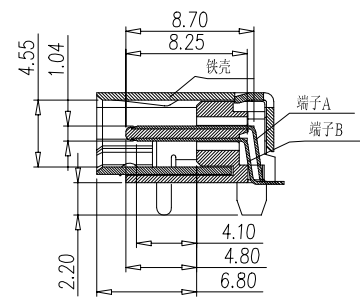
SEC C-C
SCALE 1:1



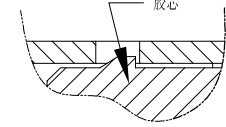
NOTE:
 1. MATERIALS AND FINISH
 1.1 HOUSING & KEY:
 TEMP. PLASTIC, UL 94V-0 RATED.
 1.2 CONTACTS:
 COPPER ALLOY.
 GOLD ON CONTACT AREA,
 100u" MIN TIN-LEAD ON SOLDER TAILS.
 BOTH OVER 50u" MIN NICKEL ALL OVER.
 1.3 SHIELD:
 COPPER ALLOY.
 PLATING NICKEL 100u" MIN ALL OVER .
 2. DIMENSIONS SHALL BE INTERPRETED PER ANSI
 Y14.5M-1994.
 3. PRODUCT CODE:

HI 19 F 03 01 K 15 A
 1 2 3 4 5 6 7

HDMI SERIES:
 1. NUMBER OF CONTACT
 19: 19 POSITIONS
 2. CONNECTING TYPE
 F: FEMALE (SOCKET)
 3. PROCESSING TYPE
 03: SMT
 4. CONNECTING DIRECTION
 01: RIGHT ANGLE (SIDE ENTRY)
 5. INSULATOR COLOR
 K: BLACK, MATERIAL LCP
 6. CONTACT PLATING
 15: 15u" GOLD OVER NICKEL
 7. SHELL TYPE
 A: WITH TOP SPRING & 4x THRU-HOLE SUPPORT PINS



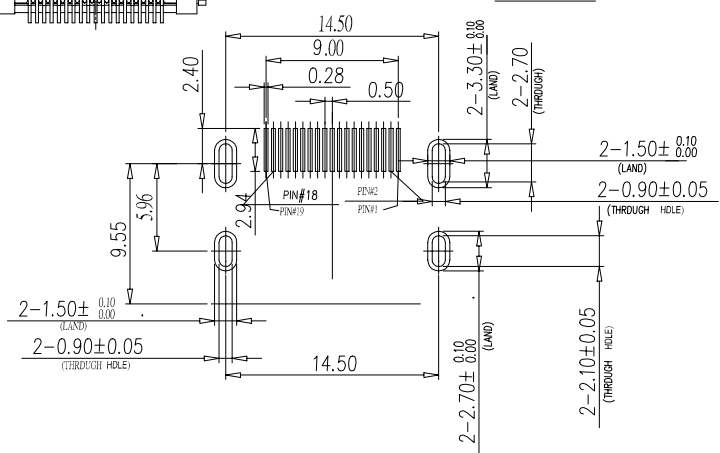
SEC D-D
SCALE 1:1



SEC A-A
SCALE 3:1

WRH	2005/11/15	\triangle 0.39—0.7
NAME	REPAIR DATE	REVISION

**SHELL PLATING: NICKEL



RECOMMENDED P.C.B. PATTERN LAYORT(T=1.6±0.1)

DWG NO:		MATERIAL:		貝強實業有限公司 PANSTRONG COMPANY LTD.
MODEL NO:		FINISH:		
UNIT: mm	SIZE:	COLOR:		PART NAME: HDMI 板端(無耳)
TOLERANCE	UNSPECIFIED	DR: TOMMY		PART NO: HI19F0301K15A
.x	±0.3	CHK:		REV: A/0
.xx	±0.20	APP:		SCALE: 2:1
.xxx	±0.100			SHEET: 1 of 1
ANG.	±1°			