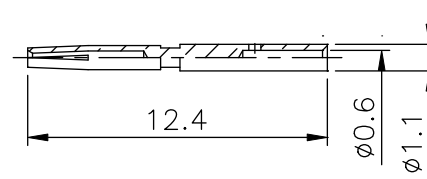
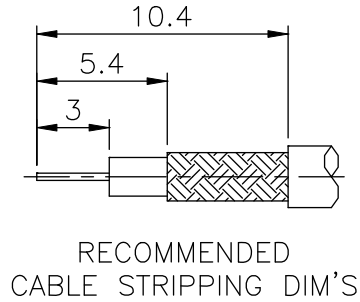
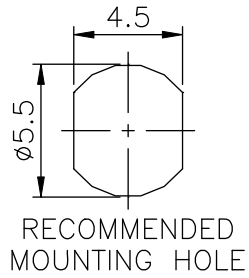
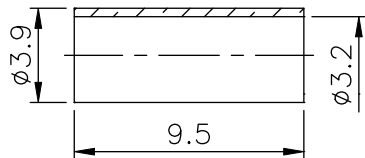
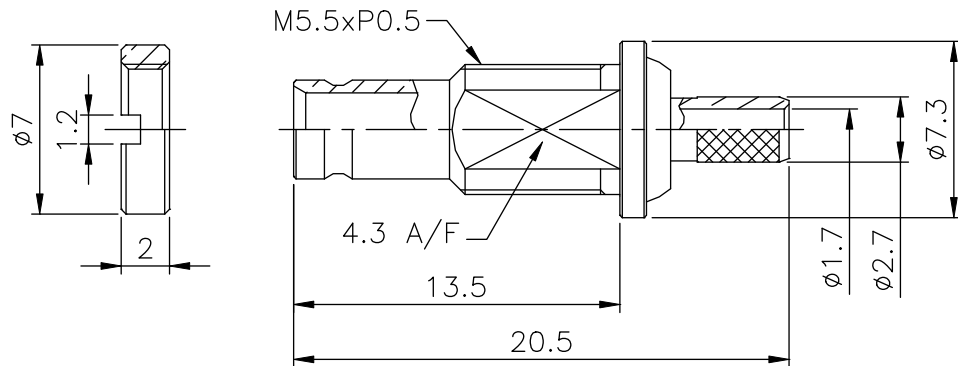


REMARK: RoHS COMPLIANT

REV	DESCRIPTION	DATE
A1	Initial Release	06'.08.10



- FINISH (PLATING THICKNESS IN MICRO-INCHES)
- BRASS PER QQ-B-626
 - GOLD PL 30 MIN OVER NICKEL PL 70 MIN THICK OVER COPPER STRIKE
 - GOLD PL 3 MIN OVER NICKEL PL 70 MIN THICK OVER COPPER STRIKE
 - TEFLON MIL-P-19468
 - BERYLLIUM COPPER PER QQ-C-530
 - BRASS JIS H 3250, C 2700
 - NICKEL PL 70 MIN THICK OVER COPPER STRIKE



NUT	NOTE 1	NOTE 7
FERRULE	NOTE 6	NOTE 3
CONTACT PIN	NOTE 5	NOTE 2
BRAID HOLDER	NOTE 1	NOTE 3
INSULATOR	NOTE 4	WHITE
BODY	NOTE 1	NOTE 3
DESCRIPTION	MATERIAL	FINISH

- CRIMPED FERRULE
HEX CRIMP SIZE .128" (3.25mm)
- CONTACT PIN TO SOLDER
- MAX. PANEL THICKNESS=5mm

UNLESS OTHERWISE SPECIFIED TOLERANCES
0.5~6 = ±0.2
>6~30 = ±0.4
>30~120 = ±0.6
>120~315 = ±1
>315~1000 = ±1.6
ANGLES = ±5°

PANSTRONG COMPANY LTD.	DRAWN BY		TOMMY	
	CHECKED			
TITLE:	1.0/2.3 BULKHEAD CRIMP JACK (FOR RG-174/U,188A/U,316/U)			
PART NO:	1023F02N0105C			
File Number:				
SCALE	3:1	REV	A1	UNIT mm