

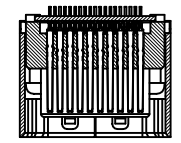
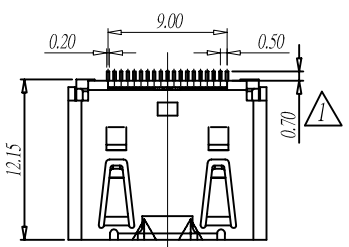
REV.	ECN NO	LOCATIONS	DESCRIPTION	DATE	REVISER	APPD
A			Initial Release	08.01.02		

**NOTE:**  
**1. MATERIALS AND FINISH**  
**1.1 HOUSING & KEY:**  
 TEMP. PLASTIC, UL 94V-0 RATED.  
**1.2 CONTACTS:**  
 COPPER ALLOY.  
 GOLD ON CONTACT AREA,  
 120u" MIN TIN PLATING ON SOLDER TAILS.  
 BOTH OVER 50u" MIN NICKEL ALL OVER.  
**1.3 SHIELD:**  
 COPPER ALLOY.  
 PLATING NICKEL 80u" MIN ALL OVER .  
**1.4 RECOMMENDED SCREWMING TORQUE:**  
 $\phi 0.343N-M(3.5kgf-cm)$   
 TORQUE LIMIT:  $\phi .392N-m(4.0kgf-cm)$   
**2. DIMENSIONS SHALL BE INTERPRETED PER MIL-STD-105E II**  
**3. PRODUCT CODE:**

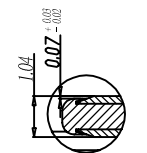
HIS - 19 F 03 01 K 15 A  
 1 2 3 4 5 6 7

**HDMI SERIES:**  
**1. NUMBER OF CONTACT**  
 19:19 POSITIONS  
**2. CONNECTING TYPE**  
 F:FEMALE(SOCKET)  
**3. PROCESSING TYPE**  
 03:SMT  
**4. CONNECTING DIRECTION**  
 01:RIGHT ANGLE(SIDE ENTRY)  
**5. INSULATOR COLOR**  
 K:BLACK, MATERIAL LCP  
**6. CONTACT PLATING**  
 15:15u" GOLD OVER NICKEL  
**7. SHELL TYPE**  
 A:WITH TOP SPRING & 4xTHRU-HOLE SUPPORT PINS

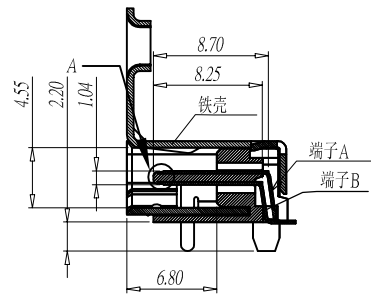
\*\*SHELL PLATING: NICKEL



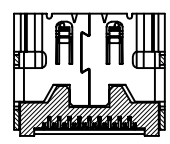
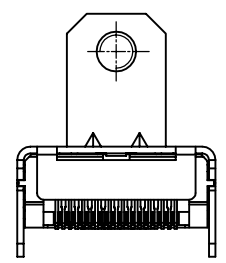
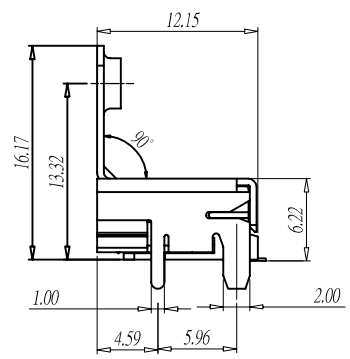
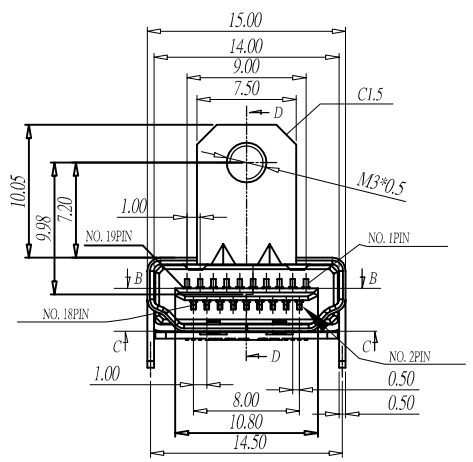
SEC B-B  
SCALE 1:1



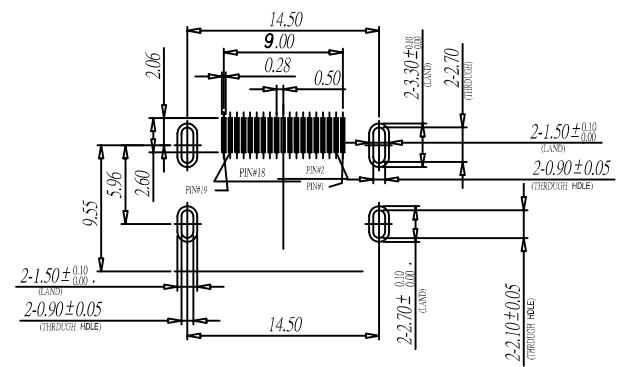
DETAIL A  
SCALE 3:1



SEC D-D  
SCALE 1:1



SEC C-C  
SCALE 1:1



RECOMMENDED P.C.B. PATTERN LAYORT(T=1.6±0.1)

RoHS

DWG NO:		MATERIAL:		<b>PANSTRONG COMPANY LTD.</b>
MODEL NO:		FINISH:		
UNIT: mm	SIZE:	COLOR:		PART NAME: HDMI 板端有耳
TOLERANCE UNSPECIFIED		DR: TOMMY		PART NO: HIS-19F0301K15A
METRIC .0=±0.35 .00=±0.25 .000=±0.15		CHK:		REV: A
APP:		SCALE: /		SHEET: 1 of 1