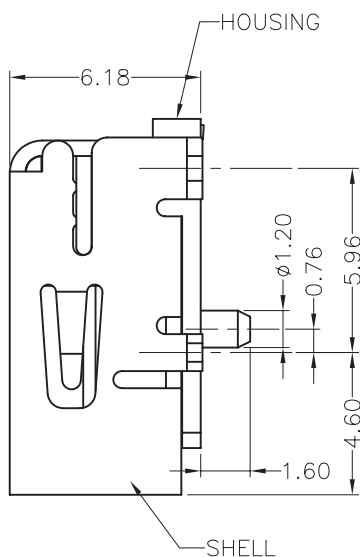
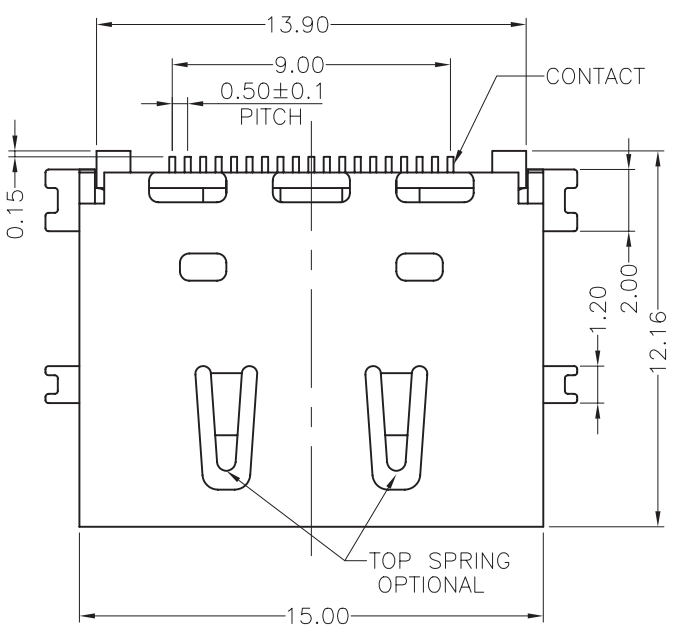


REV	DESCRIPTION	APPROVAL	DATE
A	Initial Release		04'.02.13



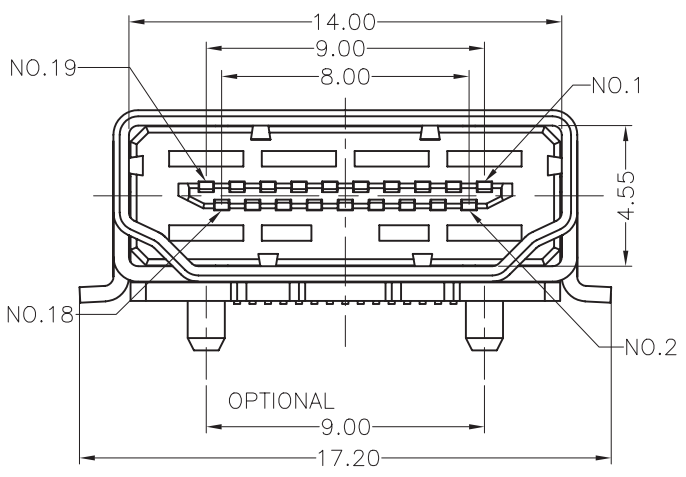
ORDERING INFORMATION

HI - 19 F 03 01 K ** C *
 1 2 3 4 5 6 7 8

HDMI WITH SCREW FLANGE:

- 1.NUMBER OF CONTACT
19: 19 POSITIONS
- 2.CONNECTING TYPE
F: FEMALE(SOCKET)
- 3.PROCESSING TYPE
03: SMT
- 4.CONNECTING DIRECTION
01: RIGHT ANGLE(SIDE ENTRY)
- 5.INSULATOR COLOR
K: BLACK, MATERIAL LCP
- 6.CONTACT PLATING
01: GOLD FLASH
01...30u" GOLD OVER NICKEL
- 7.SHELL TYPE
C: WITH TOP SPRING & SMT SUPPORT PINS
- 8.SUFFIX NO.3
NONE: SHELL MATERIAL IS PHOSPHOR BRONZE
B: BRASS

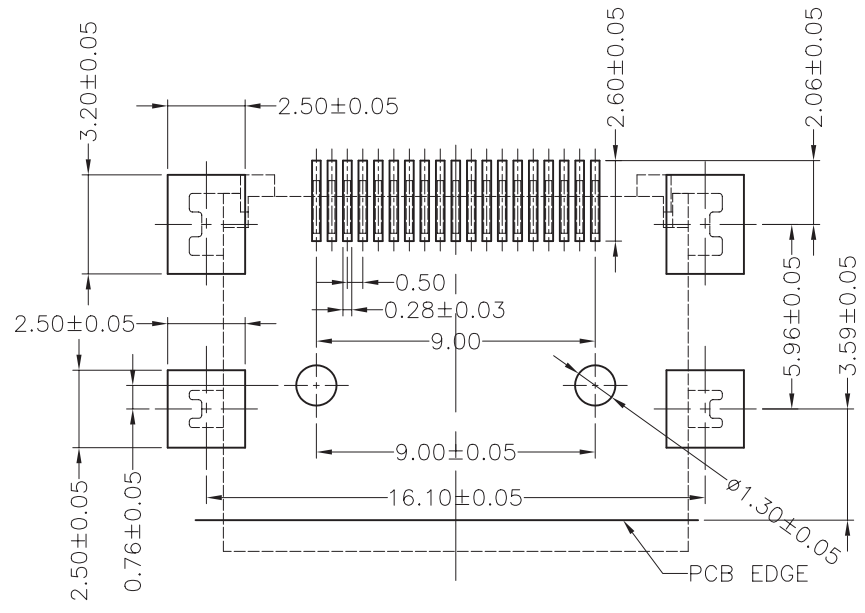
SHELL PLATING: NICKEL



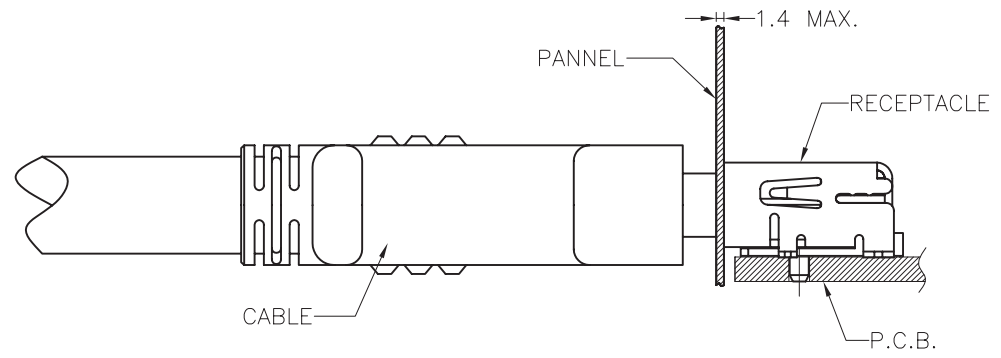
TOLERANCE UNSPECIFIED	
∴ ∴ ∴	±
∴ ∴ ∴	±0.20
∴ ∴ ∴	±0.25
∴ ∴ ∴	±
ANGLE	± 1°

PANSTRONG COMPANY LTD.	DRAWN BY		TOMMY	
	CHECKED			
TITLE:	HDMI RECEPTACLE SMT TYPE WITHOUT FLANGE 19 PIN			APPROVED
PART NO:	HI-19F0301KxxCx			DRAW NO
File Number:				
SCALE	1:1	REV	A	UNIT mm

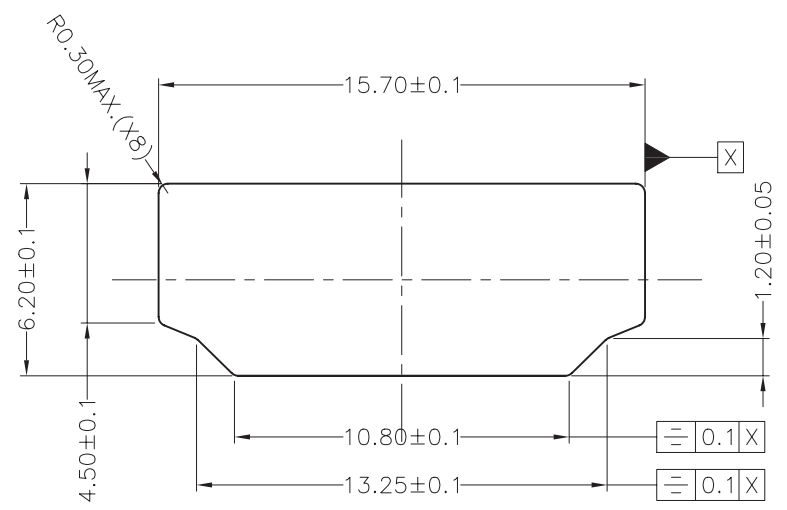
REV	DESCRIPTION	APPROVAL	DATE
A	Initial Release		04'.02.13



RECOMMENDED PCB LAYOUT (THICKNESS=1.6±0.15mm)



REFERENCE MOUNT DIMENSION



REFERENCE PANEL CUT OUT DIMENSION

TOLERANCE UNSPECIFIED	±
· · ·	±0.20
· · ·	±0.25
· · ·	±
ANGLE	± 1°

REMARKS:

1. MATERIAL:
 - 1.1 HOUSING: HIGH TEMPERATURE THERMOPLASTIC UL 94V-0 RATED.
 - 1.2 CONTACT: COPPER ALLOY
2. PLATING:
 - 2.1 CONTACT:
 - GOLD PLATED OVER NICKEL ON CONTACT AREA AND 100u" MIN. TIN PLATED OVER NICKEL ON SOLDER TAILS
 - 2.2 SHELL:
 - TIN PLATED OVER NICKEL OR NICKEL PLATED

PANSTRONG COMPANY LTD.	DRAWN BY		TOMMY		
	CHECKED				
TITLE:	HDMI RECEPTACLE SMT TYPE WITHOUT FLANGE 19 PIN				
PART NO:	HI-19F0301KxxCx				
File Number:					
SCALE	1:1	REV	A	UNIT	mm