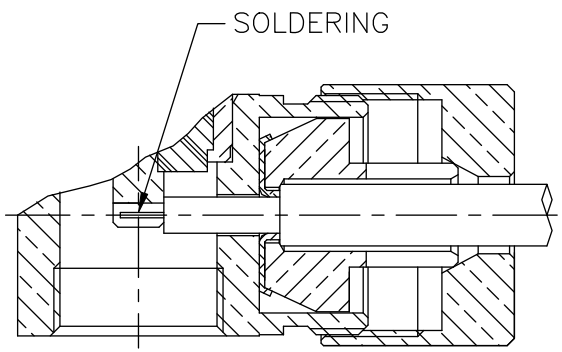
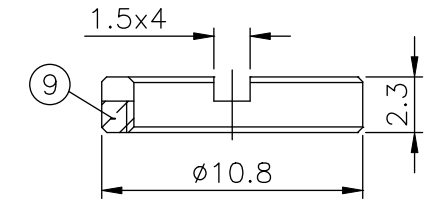
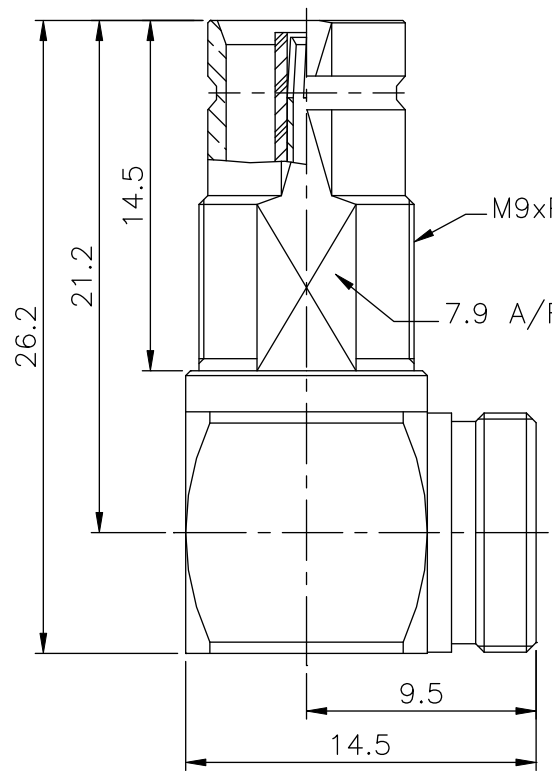


RoHS COMPLIANT

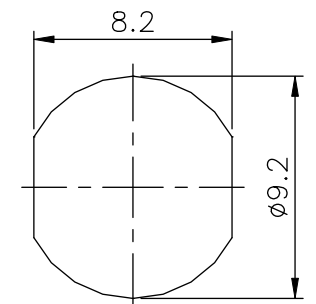
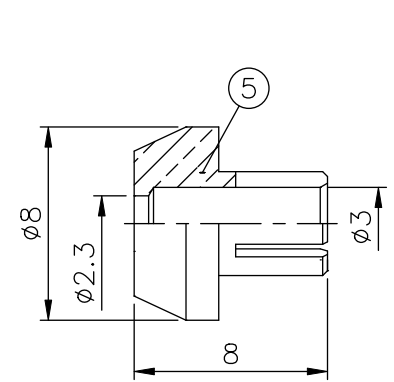
REV	DESCRIPTION	DATE
A1	Initial Release	06'.08.15



USER GUIDE

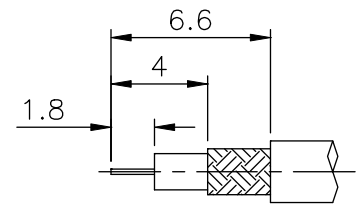
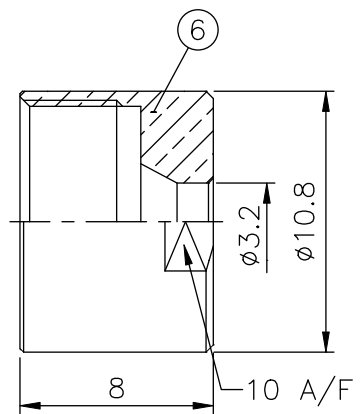


- FINISH (PLATING THICKNESS IN MICRO-INCHES)
1. BRASS PER QQ-B-626
 2. NICKEL PL 70 MIN THICK OVER COPPER STRIKE
 3. GOLD PL 3 MIN OVER NICKEL PL 70 MIN THICK OVER COPPER STRIKE
 4. TEFLON MIL-P-19468
 5. PHOSPHOR BRONZE PER QQ-B-750

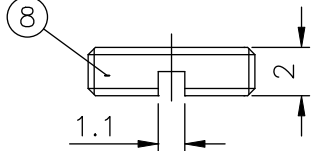
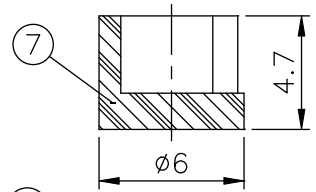


RECOMMENDED MOUNTING HOLE

NUT	NOTE 1	NOTE 2
COVER	NOTE 1	NOTE 2
INSULATOR	DELRIN	NATURAL
NUT	NOTE 1	NOTE 2
BRAID HOLDER	NOTE 1	NOTE 2
CONTACT PIN	NOTE 5	NOTE 3
INSULATOR	NOTE 4	WHITE
CUBE BODY	NOTE 1	NOTE 2
BODY	NOTE 1	NOTE 3
DESCRIPTION	MATERIAL	FINISH



RECOMMENDED CABLE STRIPPING DIM'S



1. CONTACT PIN TO SOLDER
2. MAX. PANEL THICKNESS=2.5mm

DIMENSIONS ARE IN MILLIMETERS
UNLESS OTHERWISE SPECIFIED TOLERANCES

0.5~6 = ±0.2
>6~30 = ±0.4
>30~120 = ±0.6
>120~315 = ±1
>315~1000 = ±1.6
ANGLES = ±5°

PANSTRONG COMPANY LTD.				DRAWN BY		TOMMY	
				CHECKED			
TITLE:		1.6/5.6 R/A CLAMP JACK (FOR RG-179/U,187A/U,1.5C-2V)				APPROVED	
PART NO:		1656F01N0112				DRAW NO	
File Number:							
SCALE	3:1	REV	A1	UNIT	mm		