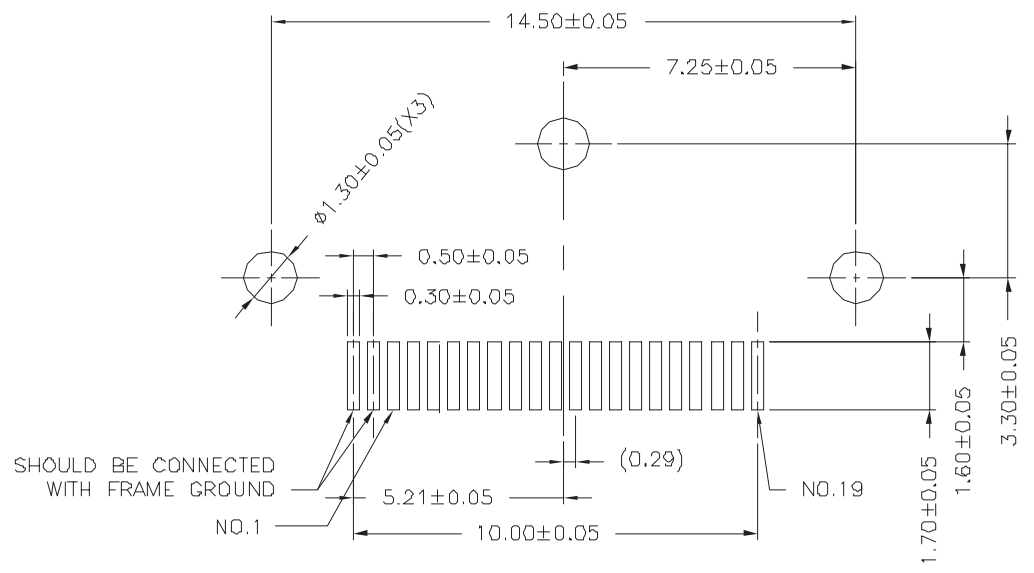
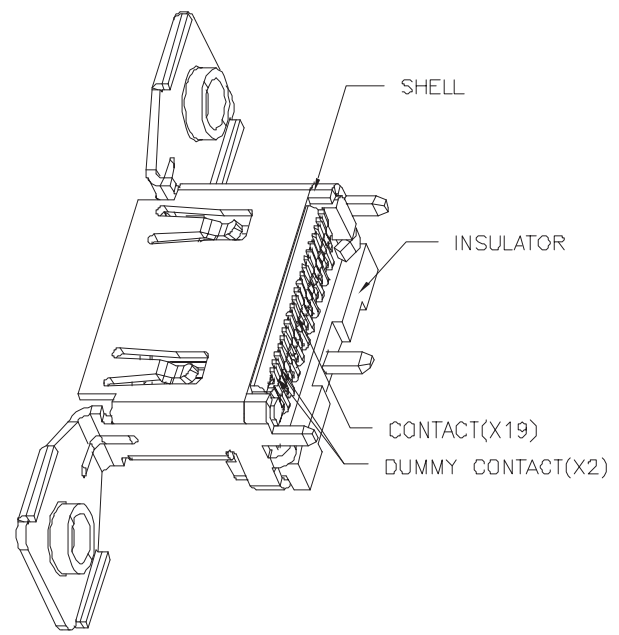


REV	DESCRIPTION	APPROVAL	DATE
0.1	新制定		05'11.29



RECOMMENED P.C.B. LAYOUT(T=1.6mm)

REMARKS:

1. MATERIAL:
 - 1.1 INSULATOR: THERMOPLASTIC UL 94V-0 RATED
 - 1.2 CONTACT: COPPER ALLOY
 - 1.3 SHELL: COPPER ALLOY
2. PLATING:
 - 2.1 CONTACT:

GOLD PLATED OVER NICKEL ON CONTACT AREA AND 100u" MIN. TIN PLATED OVER NICKEL ON SOLDER TAILS
 - 2.2 SHELL:

SOLDERABLE NICKEL PLATED OVER NICKEL

1	COPPER ALLOY,T=0.25mm	SHORT DUMMY	6
1	COPPER ALLOY,T=0.25mm	LONG DUMMY	5
10	COPPER ALLOY,T=0.25mm	SHORT CONTACT	4
9	COPPER ALLOY,T=0.25mm	LONG CONTACT	3
1	COPPER ALLOY,T=0.50mm	SHELL	2
1	THERMOPLASTIC,RATED UL94-V0	HOUSING	1
QTY'S	SPECIFICATION	PART	ITEM

ROHS-COMPLIANT

TOLERANCE UNSPECIFIED	
±	±
±0.1	±0.1
±0.15	±0.15
±	±
ANGLE	± 1°

貝強實業有限公司 PANSTRONG COMPANY LTD.	DRAWN BY	TOMMY
	CHECKED	
TITLE:	HDMI 19PIN RECEPTACLE, VERTICAL SMT TYPE	
PART NO:	HIS2-19F0302K**	
DRAW. BOX NO:		
SCALE	1:1	REV 0.1
UNIT	mm	