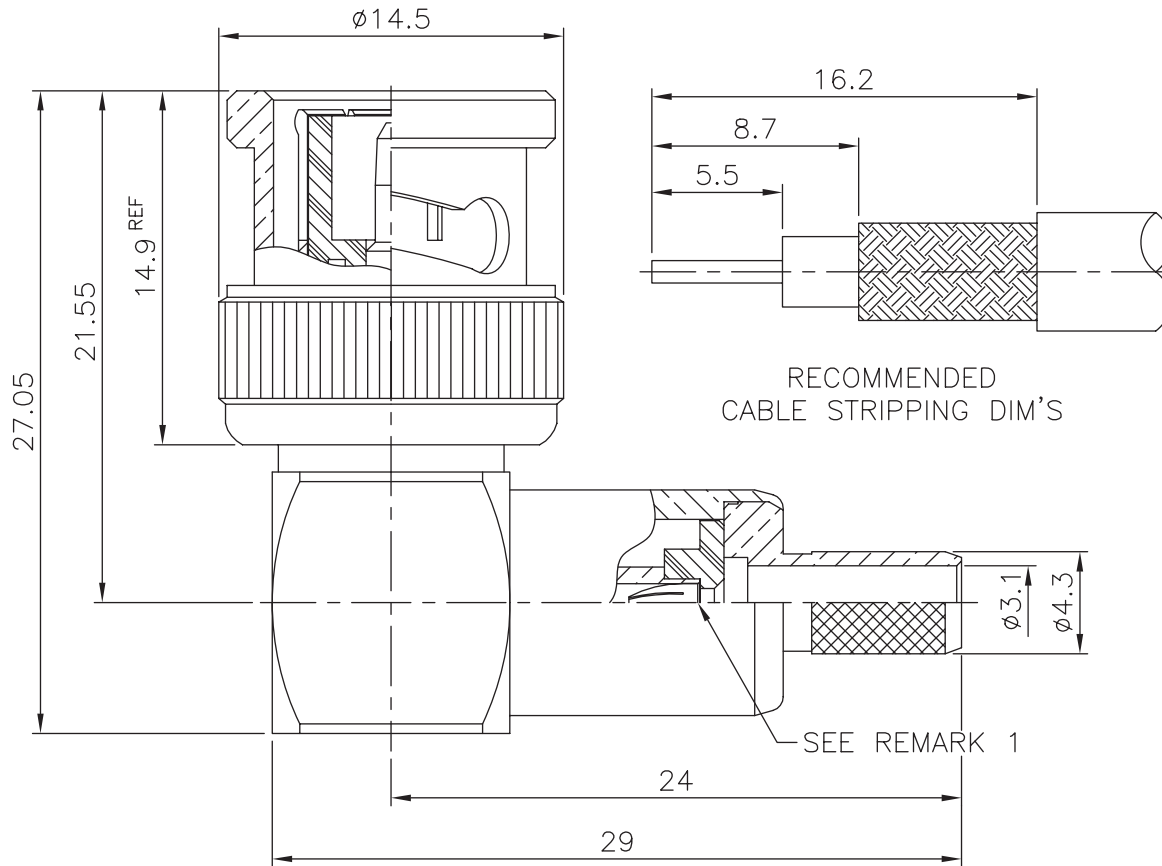


REMARK: 1.ACCEPT  $\phi 0.54 \sim \phi 1.06$  SOLID PIN  
2.RoHS COMPLIANT

REV	DESCRIPTION	DATE
A1	Initial Release	08'.06.05
A2	Change P/N INSULATOR MATERIAL	08'.09.26

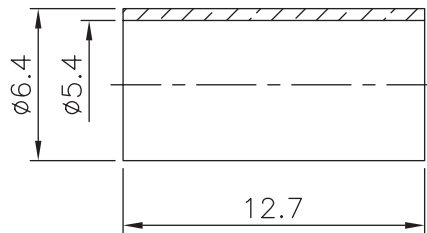


FINISH (PLATING THICKNESS IN MICRO-INCHES)

- BRASS PER QQ-B-626
- NICKEL PL 70 MIN THICK OVER COPPER STRIKE
- GOLD PL 3 MIN OVER NICKEL PL 70 MIN THICK OVER COPPER STRIKE
- BERYLLIUM COPPER PER QQ-C-530
- BRASS JIS H 3250, C 2700

DESCRIPTION	MATERIAL	FINISH
FERRULE	NOTE 5	NOTE 2
BRAID HOLDER	NOTE 1	NOTE 2
INSULATOR $\triangle$	PPS+40%GF	NATURAL
SHELL	NOTE 1	NOTE 2
GASKET	SILICONE	RED
C RING	SS41	NOTE 2
SPRING	SK5	NOTE 2
WASHER	SS41	NOTE 2
INSULATOR	DELFIN	WHITE
BODY	NOTE 1	NOTE 2
CONTACT PIN	NOTE 4	NOTE 3
CONTACT PIN	NOTE 1	NOTE 3
CUBE BODY	NOTE 1	NOTE 2
DESCRIPTION	MATERIAL	FINISH

1. CRIMPED FERRULE  
HEX CRIMP SIZE .213" (5.41mm)



UNLESS OTHERWISE SPECIFIED TOLERANCES

0.5~6	= $\pm 0.2$
>6~30	= $\pm 0.4$
>30~120	= $\pm 0.6$
>120~315	= $\pm 1$
>315~1000	= $\pm 1.6$
ANGLES	= $\pm 5^\circ$

<b>PANSTRONG COMPANY LTD.</b>				DRAWN BY		TOMMY	
				CHECKED			
TITLE:		BNC R/A CRIMP PLUG (FOR RG-58/U)				APPROVED	
PART NO:		BM01N0211				DRAW NO	
File Number:							
SCALE	3:1	REV	A2	UNIT	mm		