

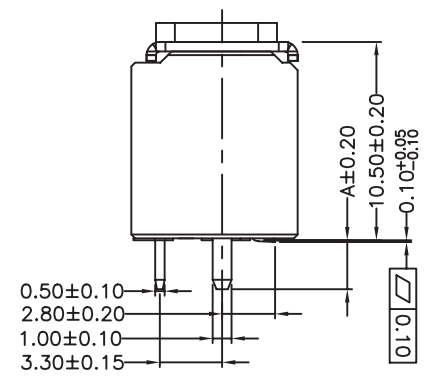
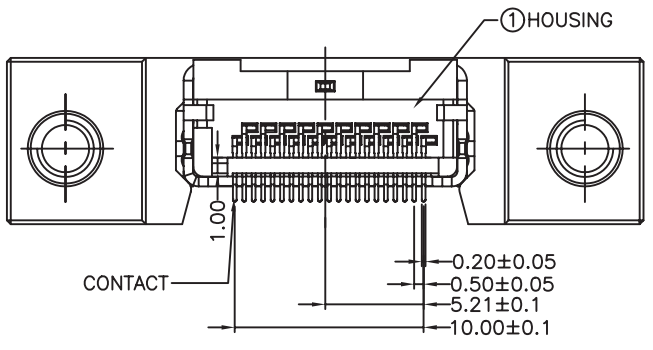
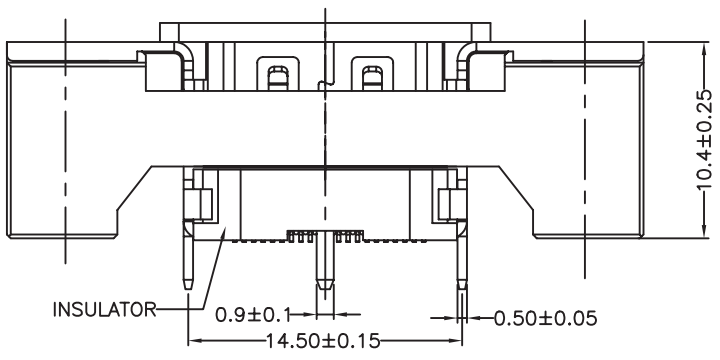
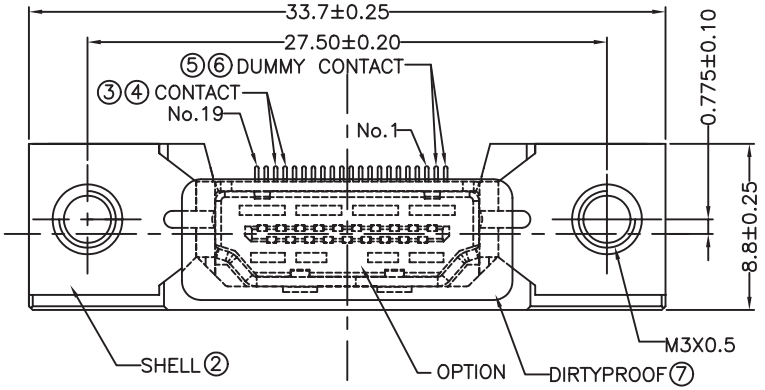
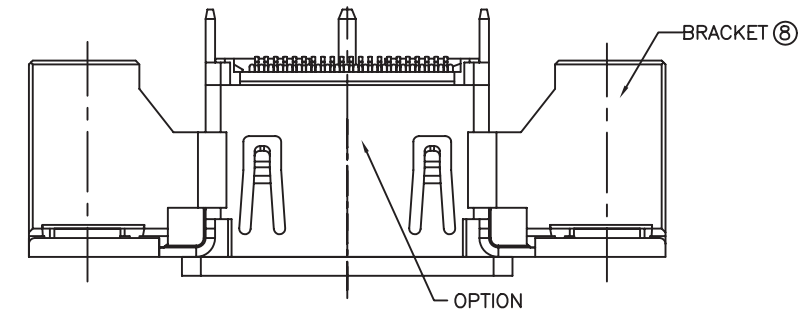
REV	DESCRIPTION	APPROVAL	DATE
A	Initial Release		07.10.24

ORDERING INFORMATION

HIS2B - $\frac{19}{1}$ $\frac{F}{2}$ $\frac{3}{3}$ $\frac{2}{4}$ $\frac{K}{5}$ $\frac{30}{6}$ $\frac{W}{7}$ $\frac{R}{8}$

HDMI WITH SCREW FLANGE & OUTER HOUSING

- 1.NUMBER OF CONTACT
19 : 19 POSITIONS
- 2.CONNECTING TYPE
F : FEMALE(SOCKET)
- 3.PROCESSING TYPE
3 : SMT
- 4.CONNECTING DIRECTION
2 : Vertical / Top Entry.
- 5.INSULATOR COLOR
K : BLACK COLOR.
- 6.CONTACT PLATING
03 : GOLD FLASH OVER NICKEL
15 : 15 u" GOLD OVER NICKEL
30 : 30u" GOLD OVER NICKEL
- 7.METAL SHIELD PIN LENGTH
W : THROUGH HOLE TYPE LENGTH A=1.90MM
F : THROUGH HOLE TYPE LENGTH A=2.60MM
- 8.PACKING:
LEAVE BLANK PVC TRAY
R : TAPE & REEL



TOLERANCE UNSPECIFIED	
±	±
±	±0.10
±	±0.15
±	±
±	±
ANGLE	± 1°

貝強實業有限公司 PANSTRONG COMPANY LTD.				DRAWN BY		TOMMY	
				CHECKED			
TITLE:		HDMI RECEPTACLE VERTICAL SMT TYPE		APPROVED			
PART NO:		HIS2B-19F32K30		DRAW NO			
File Number:				UNIT		mm	
SCALE	1:1	REV	A	UNIT		mm	

REV	DESCRIPTION	APPROVAL	DATE
A	Initial Release		07.10.24

REMARKS:

1. MATERIAL:

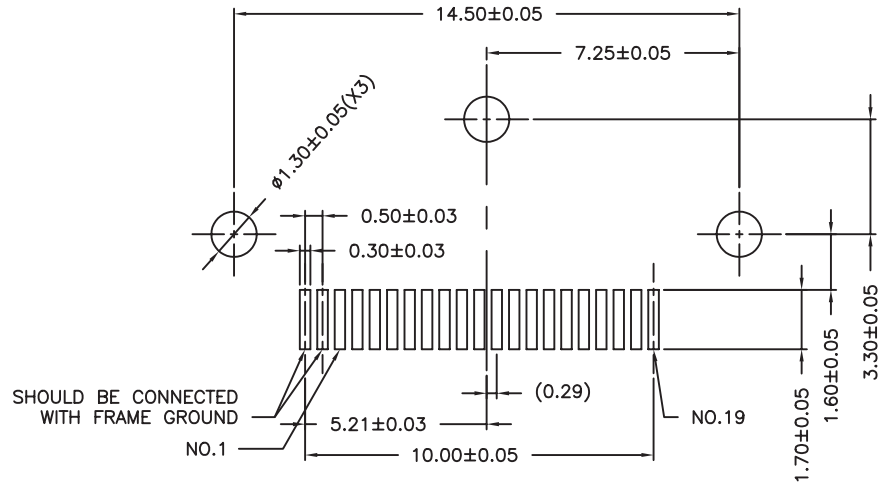
- 1.1 INSULATOR: THERMOPLASTIC UL 94V-0 RATED,COLOR: BLACK
- 1.2 CONTACT: COPPER ALLOY
- 1.3 SHELL: COPPER ALLOY
- 1.4 BRACKET: THERMOPLASTIC UL94V-0 ,COLOR: BLACK
- 1.5 DIRTYPROOF: THERMOPLASTIC UL94V-0 ,COLOR: BLACK

2. PLATING:

2.1 CONTACT:

GOLD PLATED OVER NICKEL ON CONTACT AREA AND 100u" MIN. TIN OR GOLD PLATED OVER NICKEL ON SOLDER TAILS

2.2 SHELL:



RECOMMENED P.C.B. LAYOUT(T=1.6mm)

1	THERMOPLASTIC	BRACKET-2	8
1	THERMOPLASTIC	DIRTYPROOF	7
1	COPPER ALLOY,T=0.25mm	SHORT DUMMY	6
1	COPPER ALLOY,T=0.25mm	LONG DUMMY	5
10	COPPER ALLOY,T=0.25mm	SHORT CONTACT	4
9	COPPER ALLOY,T=0.25mm	LONG CONTACT	3
1	COPPER ALLOY,T=0.50mm	SHELL	2
1	THERMOPLASTIC	INSULATOR	1
QTY'S	SPECIFICATION	PART	ITEM

TOLERANCE UNSPECIFIED	
±	±
±0.10	±0.10
±0.15	±0.15
±	±
±	±
ANGLE	± 1°

 貝強實業有限公司 PANSTRONG COMPANY LTD.		DRAWN BY	TOMMY
		CHECKED	
TITLE:	HDMI RECEPTACLE VERTICAL SMT TYPE		APPROVED
PART NO:	HIS2B-19F32K30		DRAW NO
File Number:			
SCALE	1:1	REV	A
UNIT	mm		