

TOLERANCE UNSPECIFIED	
.000	±
.00	± 0.20
.0	± 0.50
	±
ANGLE	± 2°

REV	DESCRIPTION	APPROVAL	DATE
A	Initial Release		07.12.27

PART NO.  
 DSP 11 - 20 M K \*\* A B - A  
 1 2 3 4 5 6 7 8

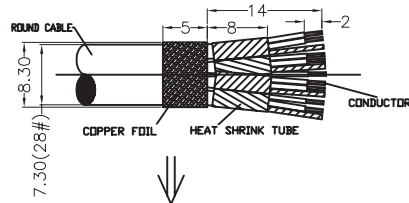
- 1: Processing Type  
11: Solder
- 2: Contact Positions  
20: 20 Pins
- 3: Connector Type  
M: M-lae Plug
- 4: Insulator Color  
K: Black
- 5: Contact Gold Plating  
03: Gold Flash  
15: 15u" Gold over Nickel  
30: 30u" Gold over Nickel
- 6: Latch Construction  
A: With Latch but without Push  
B: Without Latch and with Push
- 7: Shell Material  
B: Brass S: SPCC
- 8: Hood Option:  
A: With B: Without

ITEM	PART NAME	Q'TY/EA	MATERIALS	NOTE
⑦	BOTTOM HOOD	1	THERMOPLASTIC	UL94V-0
⑥	TOP HOOD	1	THERMOPLASTIC	UL94V-0
⑤	HOUSING	1	THERMOPLASTIC	UL94V-0
④	PCB	1	FR-4	
③	SHELL	1	COPPER ALLOY	GOLD, OR NICKEL PLATING
②	LATCH	2	STAINLESS STEEL	
①	CONTACT	20	COPPER ALLOY	Cu ALL OVER, PLATED OVER NICKEL

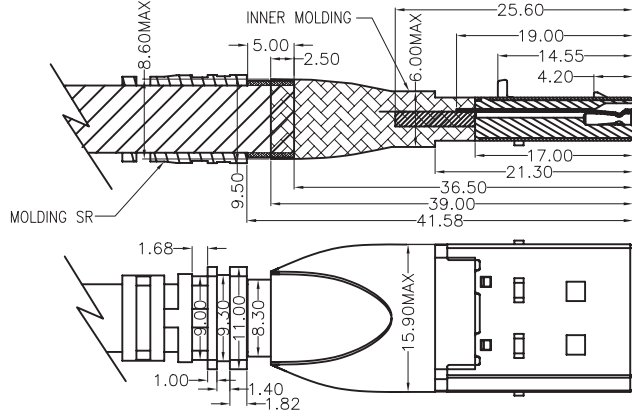
PANSTRONG COMPANY LTD.				DRAWN BY		TOMMY	
				CHECKED			
TITLE:		DISPLAYPORT 20PIN PLUG ASSEMBLY TYPE				APPROVED	
PART NO:		DSP11-20MK****				DRAW NO	
File Number:							
SCALE	/	REV	A	UNIT	mm		

APPLICATION GUIDE :

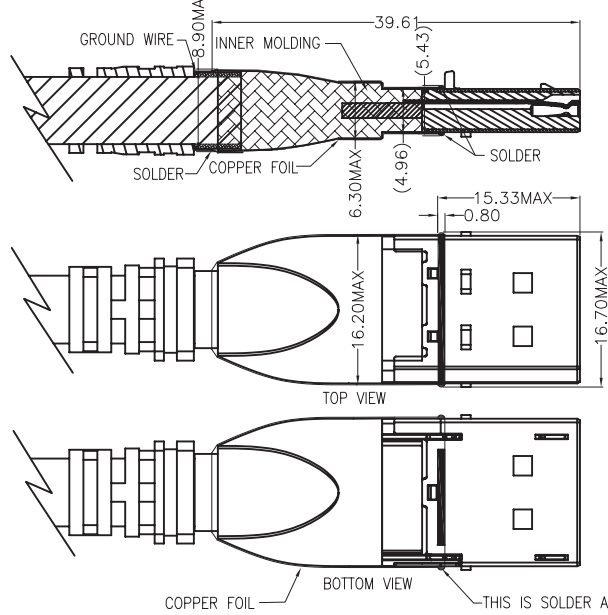
1. CABLE TREATMENT:



2. SOLDER AND INNER MOLDING



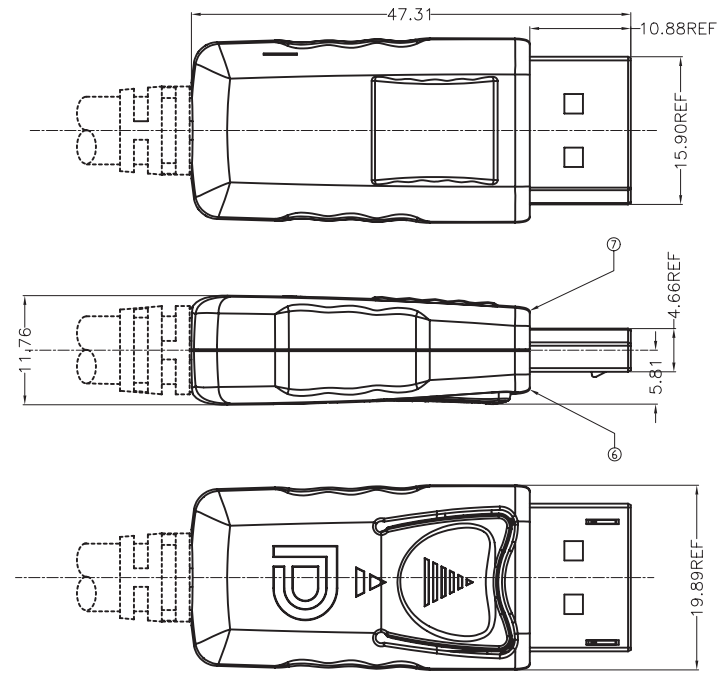
3. SOLDER COPPER



TOLERANCE UNSPECIFIED	
.000	±
.00	± 0.20
.0	± 0.50
.	±
ANGLE	± 2°

REV	DESCRIPTION	APPROVAL	DATE
A	Initial Release		07.12.27

4. ASSEMBLE HOOD



NOTE:

1. MECHANICAL :
  - 1.1 INSERTION FORCE :44.1 N MAX
  - 1.2 WITHDRAWAL FORCE :9.8 N MIN.
2. ELECTRICAL :
  - 2.1 CONTACT CURRENT RATING: 0.5A MIN.
  - 2.2 VOLTAGE RATING :40V AC (rms)
  - 2.3 WITHSTANDING VOLTAGE: 500 VAC FOR 1 MINUTE.
  - 2.4 INSULATION RESISTANCE: 100 MEGOHMS MIN.
  - 2.5 CONTACT RESISTANCE: 30 MILLIOHMS MAX.
3. ENVIRONMENTAL :
  - 3.1 OPERATING TEMPERATURE:-25°C TO +85°C



PANSTRONG COMPANY LTD.		DRAWN BY		TOMMY	
		CHECKED			
TITLE:		DISPLAYPORT 20PIN PLUG ASSEMBLY TYPE		APPROVED	
PART NO:		DSP11-20MK****		DRAW NO	
File Number:					
SCALE	/	REV	A	UNIT	mm

