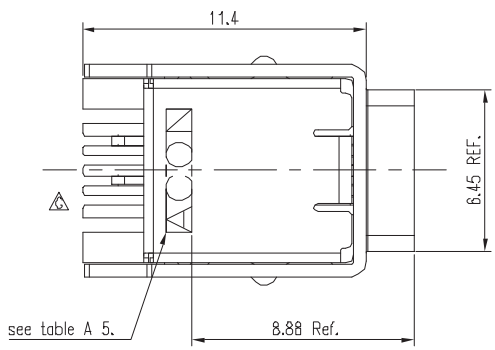


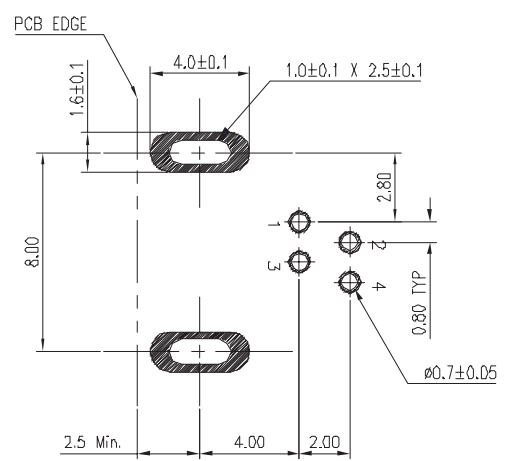
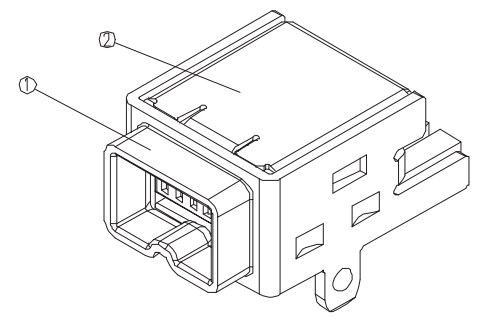
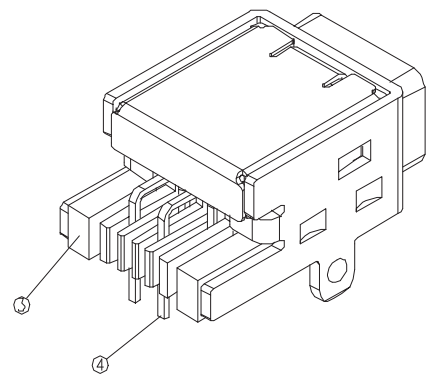
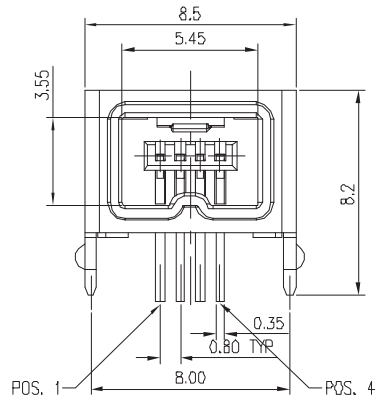
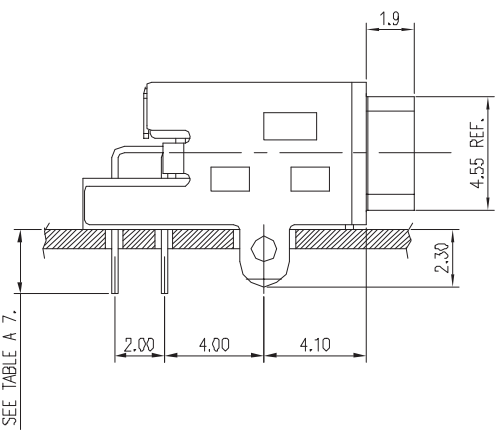
REV	DESCRIPTION	APPROVAL	DATE
A	新制定		06.04.03



5	CONTACT	2	COPPER ALLOY	NOTES 3.2.
4	CONTACT	2	COPPER ALLOY	NOTES 3.2.
3	HOUSING	1	THERMOPLASTIC	
2	SPRING	1	STAINLESS	
1	SHELL	1	STEEL	NOTES 3.1.

NOTES:

- ELECTRICAL CHARACTERISTIC:
 - CONTACT RESISTANCE: 50 MILLIOHMS MAXIMUM INITIAL
 - INSULATION RESISTANCE: 100 MEGOHMS MINIMUM
 - DIELECTRIC WITHSTANDING VOLTAGE: 100±10 VDC
- MATERIALS:
 - SHELL: STEEL
 - SPRING: STAINLESS
 - HOUSING: THERMOPLASTIC, GLASS FILLED, 130°C, UL 94V-0 RATED
 - CONTACT: COPPER ALLOY
- FINISHES:
 - SHELL: TIN-LEAD PLATED OVER COPPER
 - CONTACT: PLATED GOLD IN MATING AREA: TIN/LEAD ON TAILS.
- OTHERS:
 - RECOMMENDED PC BOARD THICKNESS OF 0.80mm
 - THIS ALLOW FOR A PANEL THICKNESS OF 2.67mm MAXIMUM, IF THE RECEPTACLE CONNECTOR IS MOUNTED BEHIND A PANEL
 - RECOMMENDED PC BOARD MOUNTING DIMMENSION: REFER FIGURE C
 - DATUM AND BASIC DIMMENSIONS ESTABLISHED BY CUSTOMER.



PART NO.
 FWR01 - 4 F K 30 J
 1 2 3 4 5

- No. of Contact : 4 Positions
- F : Socket
- Color of Insulation : K Black
- Plating of Contact : 30u" Gold
- Plating of Shell
J : Nickel

貝強實業有限公司 PANSTRONG COMPANY LTD.		DRAWN BY	TOMMY
TITLE: IEEE-1394 4P RECEP, R/A,T/H		CHECKED	
PART NO: FWR01-4FK30J		APPROVED	
DRAW BOX NO:		DRAW NO	
SCALE	5:1	REV	A
UNIT	mm		

FIGURE C : RECOMMENDED FLAT THROUGH-HOLE FOOTPRINT

ROHS-COMPLIANT