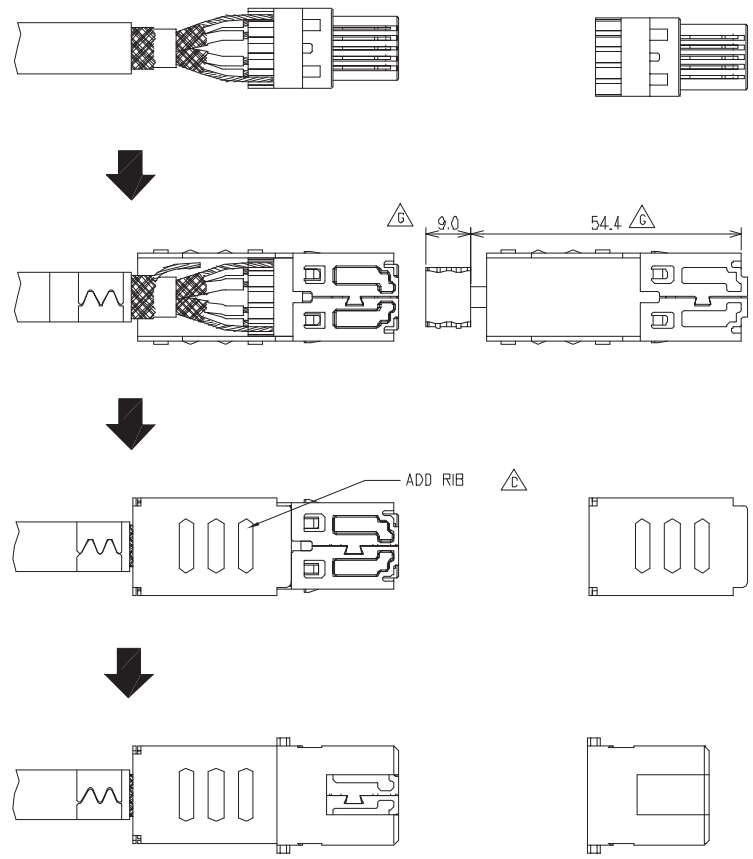
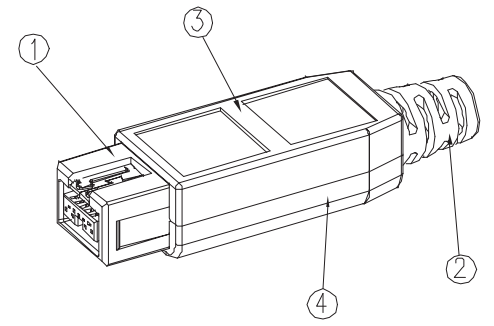
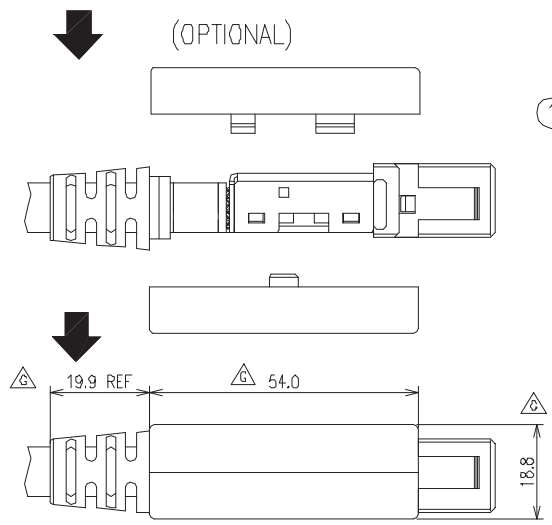


REV	DESCRIPTION	APPROVAL	DATE
G	新制定		06/04/24

REV.	DESCRIPTION	DATE
E	△ X2	09/15/03'
F	△ X1	11/06/03'
G	ADD DIMENTION △ G X5	04/08/04'



△ Figure 1-Cable assembly process



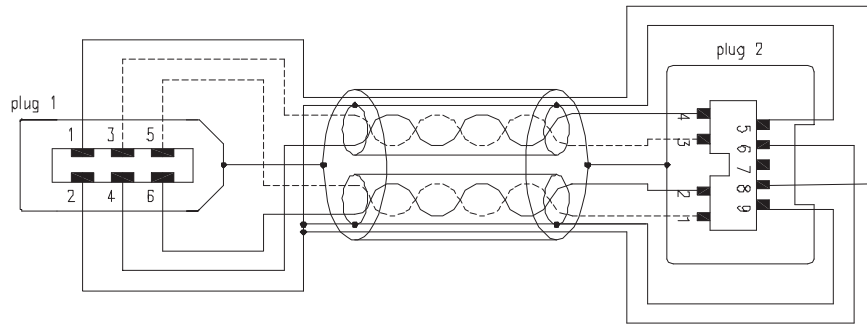
GENERAL TOLERANCE		ANGLE TOLERANCE	
X	±0.30	X°	±3.0°
.X	±0.25	.X°	±2.0°
.XX	±0.13	.XX°	±1.0°
.XXX	±0.05		

ITEM	NAME	QTY	MATERIAL / FINISH
4	BOTTOM HOOD	1	ABS, UL 94V-0 RATED
3	TOP HOOD	1	ABS, UL 94V-0 RATED
2	STRAIN RELIEF	1	PVC
1	PLUG BODY	1	

ROHS-COMPLIANT

貝強實業有限公司 PANSTRONG COMPANY LTD.				DRAWN BY		TOMMY	
				CHECKED			
TITLE:		IEEE-1394b BILINGUAL PLUG				APPROVED	
PART NO:		1394B9M01K30L				DRAW NO	
DRAW. BOX NO:							
SCALE		2:1	REV	G	UNIT	mm	

REV	DESCRIPTION	APPROVAL	DATE
G	新制定		06/04.24

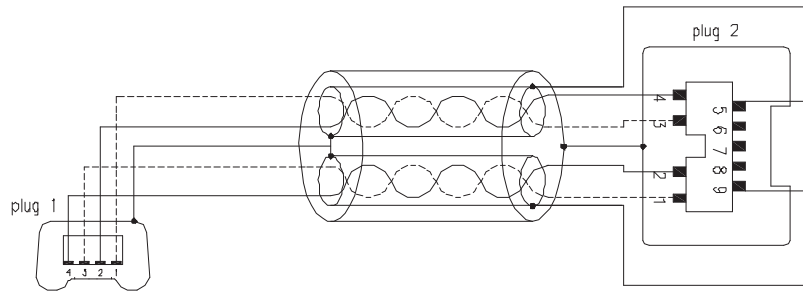


NOTE-Cable (reference) IEEE Std 1394-1995. Connectors are viewed as looking at the front plug face.
Figure 2-Type 2 Cable assembly and schematic(IEEE Std 1394-1995 6-circuit plug to Bilingual plug)

Table 1-Type 2 Cable assembly

PLUG 1: IEEE Std 1394-1995 6-circuit plug contact number	Signal name at plug 2 end: IEEE Std 1394-1995 cable reference	PLUG 2: Bilingual plug contact number
5	TPB*(Twisted Pair B Minus) BLUE	1
6	TPB(Twisted Pair B Plus) ORANGE	2
3	TPA*(Twisted Pair A Minus) RED	3
4	TPA(Twisted Pair A Plus) GREEN	4
2	TPA(R)(Twisted Pair A Ground Reference)	5
2	V _G (Power Ground) WHITE	6
no connection	SC(Status Contact) ^a	7(no connection)
1	V _P (Power Voltage) BLACK	8
2	TPB(R)(Twisted Pair B Ground Reference)	9
plug shield	Cable Shield Ground	plug shield

^a reserved for future use; there is no plug to plug connection for SC through the cable



NOTE-Cable (reference) IEEE Std 1394a-2000. Connectors are viewed as looking at the front plug face.
Figure 3-Type 3 Cable assembly and schematic(IEEE Std 1394a 4-circuit plug to Bilingual plug)

Table 2-Type 3 Cable assembly

PLUG 1: IEEE Std 1394a-2000 4-circuit plug contact number	Signal name at plug 2 end: IEEE Std 1394-1995 cable reference	PLUG 2: Bilingual plug contact number
3	TPB*(Twisted Pair B Minus) BLUE	1
4	TPB(Twisted Pair B Plus) ORANGE	2
1	TPA*(Twisted Pair A Minus) RED	3
2	TPA(Twisted Pair A Plus) GREEN	4
plug shield	TPA(R)(Twisted Pair A Ground Reference)	5
no connection	V _G (Power Ground) WHITE	6
no connection	SC(Status Contact) ^a	7(no connection)
no connection	V _P (Power Voltage) BLACK	8
plug shield	TPB(R)(Twisted Pair B Ground Reference)	9
no connection	Cable Shield Ground	plug shield

^a reserved for future use; there is no plug to plug connection for SC through the cable

PART NO.

1394b 9 M 01 K 30 L
1 2 3 4 5 6 7

- 1.IEEE-1394b
- 2.NO. OF CONTACTS
9: 9 POSITION
- 3.M: MALE PLUG
- 4.01: SOLDER & MOLDING TYPE
- 5.COLOR OF HOUSING
K: BLACK6.THICKNESS OF CONTACT GOLD PLATING
30: 30u" AU7.L: BILINGUL

NOTES :

- 1.0. RATING :
- 1.1. VOTAGE : 30 VAC (R.M.S.)
- 1.2. CURRENT : 1.5 AMPERE MAXIMUM
- 2.0. ELECTRICAL CHARACTERISTIC :
REFER TOPRODUCT SPEC.(CSP-FLW10-00-00)
- 3.0 MATERIALS : (SEE TABLE B)
- 4.0 FINISHS : (SEE TABLE B)
- 5.0 OTHERS :
- 5.1 PRODUCT SPECIFICATION : (CSP-FLW10-00-00)
- 5.2 PRODUCT NUMBERING CODE : (SEE TABLE A)

ROHS-COMPLIANT

 貝強實業有限公司 PANSTRONG COMPANY LTD.		DRAWN BY		TOMMY	
		CHECKED			
TITLE:		IEEE-1394b BILINGUAL PLUG		APPROVED	
PART NO:		1394B9M01K30L		DRAW NO	
DRAW.BOX NO:					
SCALE	2:1	REV	G	UNIT	mm
					