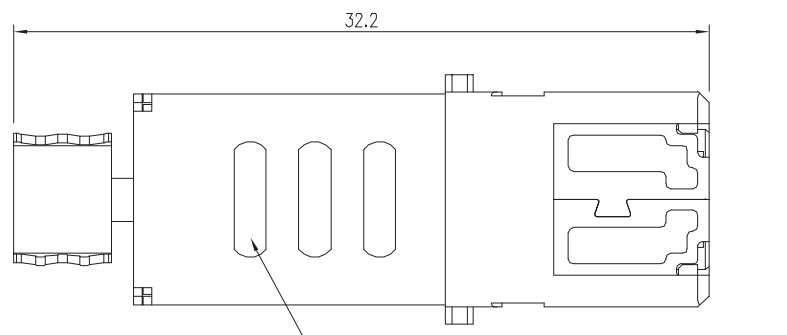
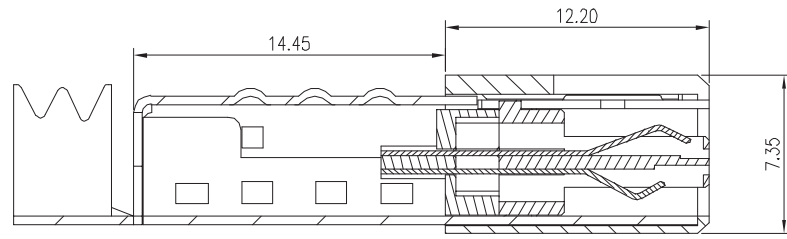


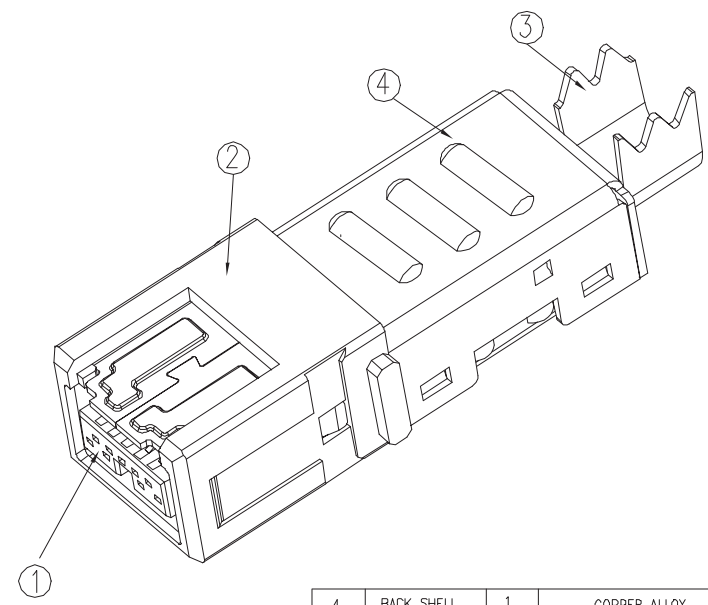
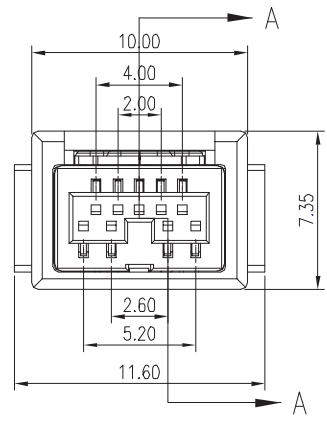
7	8	9	10	11
REV	DESCRIPTION	APPROVAL	DATE	
A	新制定		06'.04.20	



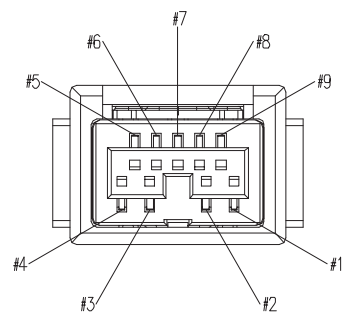
REV.	DESCRIPTION	DATE
A	NEW RELEASE	01/06/03'
B	△B X1	03/19/03'
C	△C X1	04/18/03'
D	△D X1	07/26/03'
E	ADD PLATE SPEC. △E X1	01/19/05'



SECTION A-A



4	BACK SHELL	1	COPPER ALLOY
3	FRONT SHELL	1	COPPER ALLOY
2	SLEEVE	1	PBT ,UL 94V-0 RATED
1	MALE BODY	1	
ITEM	NAME	Q'TY	MATERIAL / FINISH



ROHS-COMPLIANT

GENERAL TOLERANCE		ANGLE TOLERANCE	
X.	±0.30	X.	±3.0°
.X	±0.25	.X	±2.0°
.XX	±0.13	.XX	±1.0°
.XXX	±0.06		

貝強實業有限公司
PANSTRONG COMPANY LTD.

DRAWN BY **TOMMY**

TITLE: **I-EEE 1394b BETA PLUG CUSTOMER DRAWING**

CHECKED

PART NO: **1394b9M01K30B**

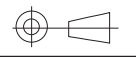
APPROVED

DRAW BOX NO:

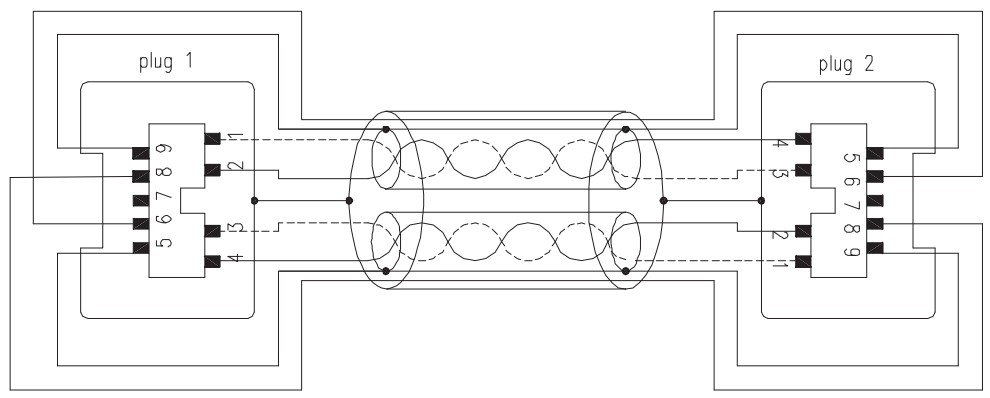
DRAW NO

SCALE **Free** REV **A**

UNIT **mm**



REV	DESCRIPTION	APPROVAL	DATE
A	新制定		06'04.20



NOTE-Cable as defined in this standard.Connectors are viewed as looking at the front plug face.

- NOTES :
- 1.0. RATING :
 - 1.1. VOTAGE : 30 VAC (R.M.S.)
 - 1.2. CURRENT : 1.5 AMPERE MAXIMUM
 - 2.0. ELECTRICAL CHARACTERISTIC :
REFER TOPRODUCT SPEC.(CSP-FLW10-00-00)
 - 3.0 METERIALS : (SEE TABLE B)
 - 4.0 FINISHS : (SEE TABLE B)
 - 5.0 OTHERS :
 - 5.1 PRODUCT SPECIFICATION : (CSP-FLW10-00-00)
 - 5.2 PRODUCT NUMBERING CODE : (SEE TABLE A)

TABLE A : PRODUCT NUMBERING CODE

1394b 9 M 01 K 30 B
 1 2 3 4 5 6 7

- 1.IEEE-1394b
- 2.NO. OF CONTACTS
- 3.M: MALE PLUG
- 4.01: SOLDER & MOLDING TYPE
- 5.COLOR OF HOUSING
K: BLACK
- 6.THICKNESS OF CONTACT GOLD PLATING
30:30u" AU
- 7.B: BETA

Table 1-Type 1 Cable assembly

PLUG 1: Beta plug contact number	Signal name at plug 1 end: Cable as defined in this standard	PLUG 2: Beta plug contact number
1	TPB*(Twisted Pair B Minus) BLUE	3
2	TPB(Twisted Pair B Plus) ORANGE	4
3	TPA*(Twisted Pair A Minus) RED	1
4	TPA(Twisted Pair A Plus) GREEN	2
5	TPA(R)(Twisted Pair A Ground Reference)	9
6	V _G (Power Ground) WHITE	6
7(no connection)	SC(Status Contact) ^a	7(no connection)
8	V _P (Power Voltage) BLACK	8
9	TPB(R)(Twisted Pair B Ground Reference)	5
plug shield	Cable Shield Ground	plug shield

^a reserved for future use; there is no plug to plug connection for SC through the cable

ROHS-COMPLIANT

GENERAL TOLERANCE		ANGLE TOLERANCE	
X.	±0.30	X.	±3.0°
.X	±0.25	.X	±2.0°
.XX	±0.13	.XX	±1.0°
.XXX	±0.05		

貝強實業有限公司 PANSTRONG COMPANY LTD.				DRAWN BY		TOMMY	
				CHECKED			
TITLE:		I-EEE 1394b BETA PLUG CUSTOMER DRAWING				APPROVED	
PART NO:		1394b9M01K30B				DRAW NO	
DRAW.BOX NO:							
SCALE	Free	REV	A	UNIT	mm		