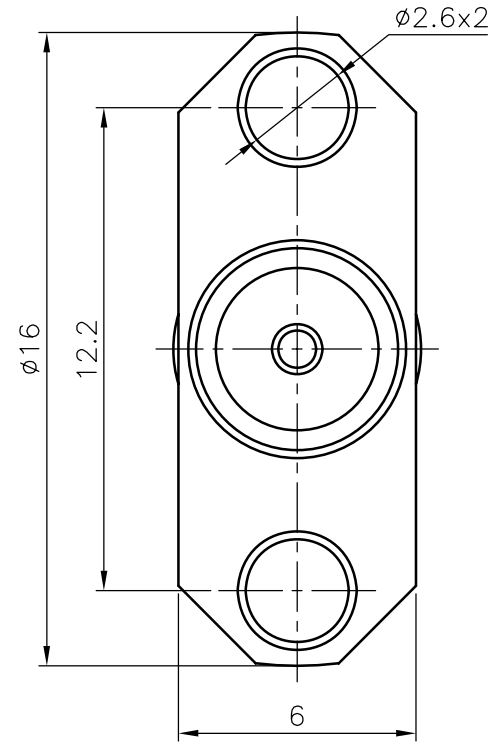
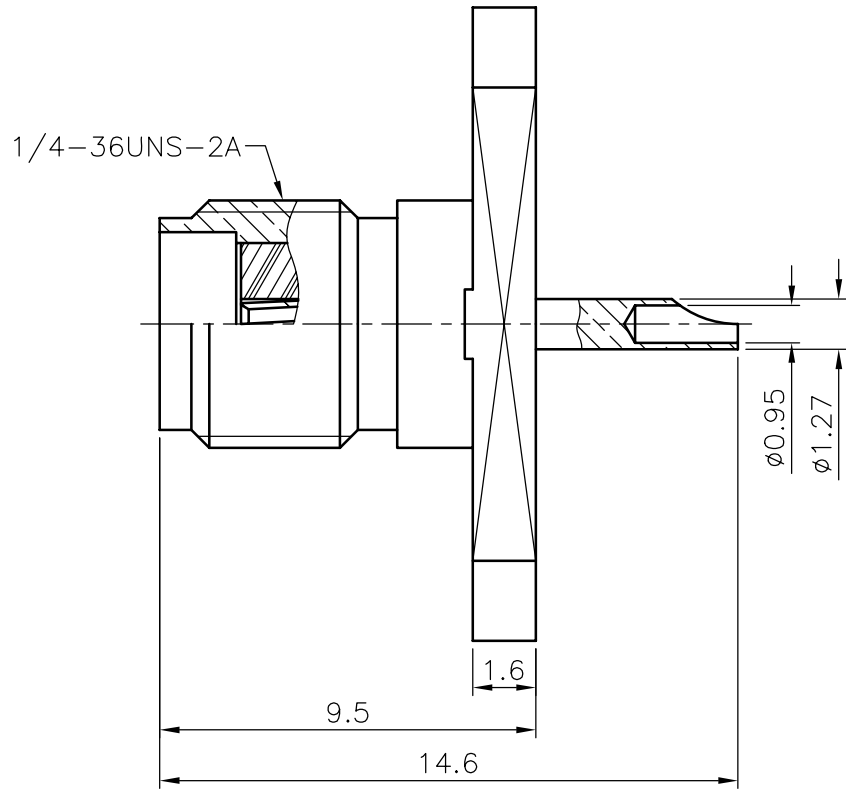


REV	DESCRIPTION	APPROVAL	DATE
A	Initial Release		07.05.04

NOTES: FINISH (PLATING THICKNESS IN MICRO-INCHES)

1. BRASS PER QQ-B-626
2. GOLD PL 3 MIN OVER NICKEL PL 70 MIN THICK OVER COPPER STRIKE
3. GOLD PL 30 MIN OVER NICKEL PL 70 MIN THICK OVER COPPER STRIKE
4. TEFLON MIL-P-19468
5. BERYLLIUM COPPER PER QQ-C-530



REMARK: RoHS COMPLIANT
(符合 RoHS)

NO.	DESCRIPTION	MATERIAL	FINISH	Q'TY	DRAWING NO.
	LOCK RING	NOTE 1	NOTE 2		
	INSULATOR	NOTE 4	WHITE		
	INSULATOR	NOTE 4	WHITE		
	CONTACT PIN	NOTE 5	NOTE 3		
	BODY	NOTE 1	NOTE 2		

UNLESS OTHERWISE SPECIFIED
TOLERANCES
(一般公差)
0.5~6 = ±0.2
>6~30 = ±0.4
>30~120 = ±0.6
>120~315 = ±1
>315~1000 = ±1.6
ANGLES(角度) = ±5°

 貝強實業有限公司 PANSTRONG COMPANY LTD.				DRAWN BY		TOMMY	
				CHECKED			
TITLE:		SMA PANEL RECEPT JACK				APPROVED	
PART NO:		SMAF02G0106H2				DRAW NO	
File Number:							
SCALE	5:1	REV	A	UNIT	mm		