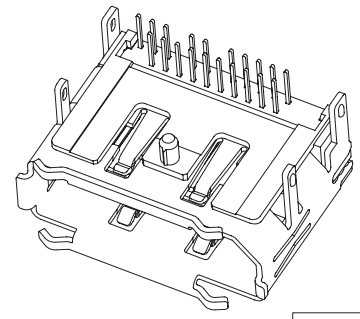
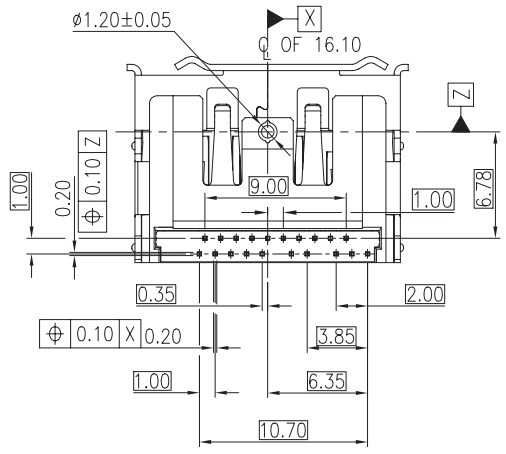
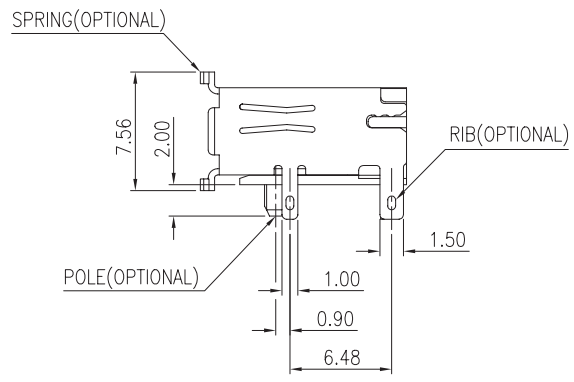
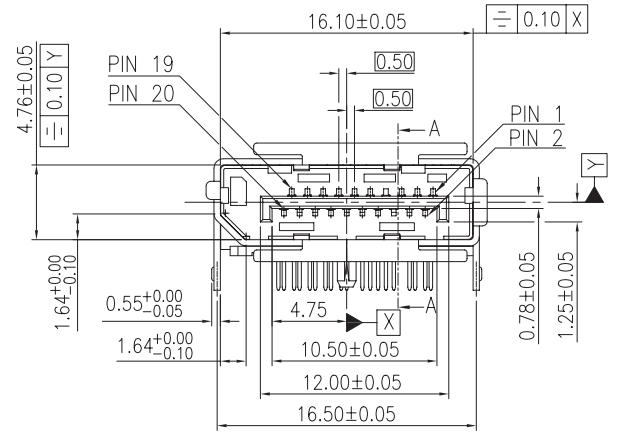
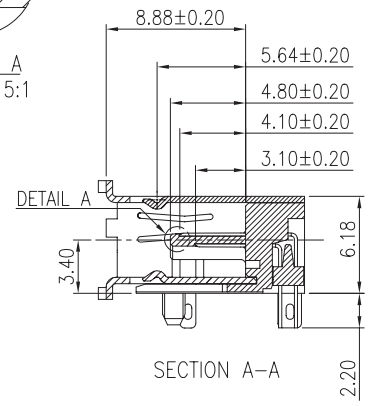
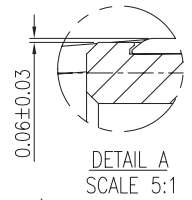
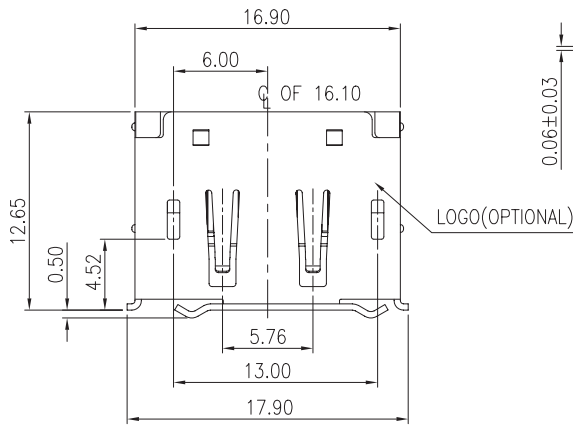


REV	DESCRIPTION	APPROVAL	DATE
A	Initial Release		08'.05.12



TOLERANCE UNSPECIFIED:	
.000	±
.00	± 0.15
.0	± 0.20
.	±
ANGLE	± 1°

PART NO.  
 DSP 01 - 20 F K \*\* A 1 A  
 1 2 3 4 5 6 7 8

- 1: Throuth-Hole, Right Angle
- 2: Contact Positions  
20:20 Pins
- 3: Connector Type  
F: Receptacle Socket
- 4: Insulator Color  
L: Black
- 5: Contact Gold Plating  
03: Gold Flash  
15: 15u" Gold over Nickel  
30: 30u" Gold over Nickel
- 6: Shell Construction  
A: With Top Springs and 4 Through Hole Pins  
B: Without Top Springs and 4 Through Hole Pins
- 7: Locating Post:  
1: With 0: Without
- 8: Rib:  
A: With B: Without

PANSTRONG COMPANY LTD.				DRAWN BY		TOMMY	
				CHECKED			
TITLE:		1.1 DISPLAYPORT CONNECTOR RECECTACLE DIP TYPE TWO ROWS				APPROVED	
PART NO:		DSP01-20FK				DRAW NO	
File Number:							
SCALE	3:1	REV	A	UNIT	mm		

