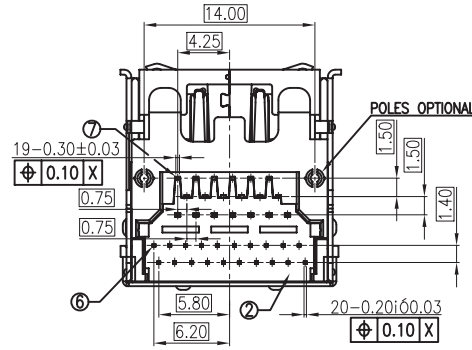
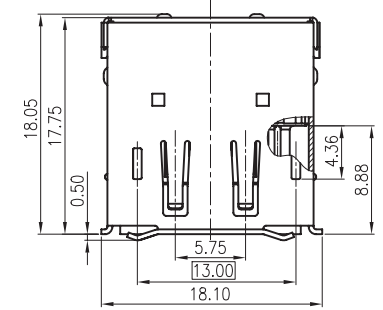
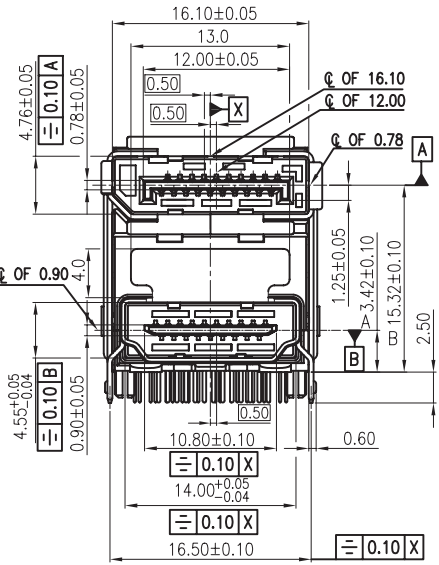


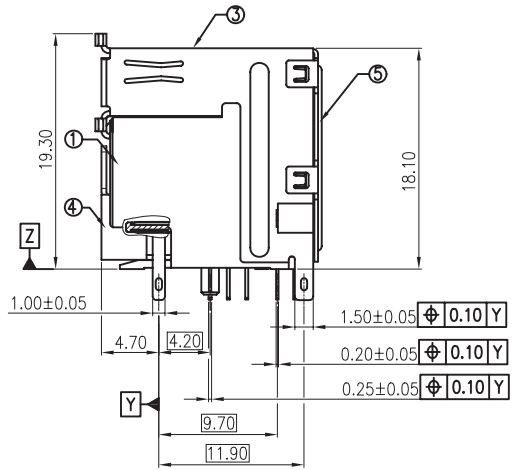
REV	DESCRIPTION	DATE
A	Initial Release	12'.06.29



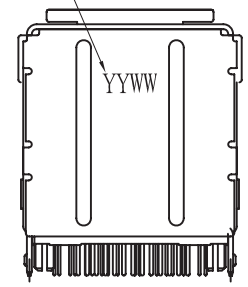
B VIEW  
SCALE 1:1



B VIEW



DATE CODE OPTIONAL  
FRONT TWIN CODE IS YEAR CODE  
BACK TWIN CODE IS WEEK CODE



NOTE:

- |                                      |                                   |
|--------------------------------------|-----------------------------------|
| 1. MECHANICAL:                       | 2.2.1 HDMI:40V AC(RMS)            |
| 1.1 INSERTION FORCE:                 | 2.2.2 DISPLAYPORT:40V AC(RMS)     |
| 1.1.1 HDMI:44.1N MAX                 | 2.3 WITHSTANDING VOLTAGE(MATED):  |
| 1.1.2 DISPLAYPORT:44.1MAX            | 2.3.1 HDMI:300V AC(RMS)           |
| 2.1 WITHDRAWAL FORCE:                | 2.3.2 DISPLAYPORT:300V AC(RMS)    |
| 2.1.1 HDMI:9.8N MIN,39.2N MAX        | 2.4 INSULATION RESISTANCE(MATED): |
| 2.1.2 DISPLAYPORT:9.8N MIN,39.2N MAX | 2.4.1 HDMI:150V DC                |
| 2.ELECTRICAL:                        | 2.4.2 DISPLAYPORT:150V DC         |
| 2.1 CONTACT CURRENT RATING:          | 3. ENVIRONMENTAL:                 |
| 2.1.1 HDMI:0.5A MAX                  | 3.1 OPERATING TEMPERATURE:        |
| 2.1.2 DISPLAYPORT:0.5A MAX           | 3.1.1 HDMI:-25' TO +85'           |
| 2.2 VOLTAGE RATING:                  | 3.1.2 DISPLAYPORT:-25' TO +85'    |

ORDERING INFORMATION:

DPHI - F1 - 01 K xx A - 2  
1 2 3 4 5 6

- DISPLAYPORT OVER HDMI CONNECTOR
- F1: 20 Pin Female over 19 Pin Female Type
- Processing Type:  
01: Through-Hole, Right Angle
- Insulator Color:  
K: Black
- Contact Gold Plating:  
15: 15u" Selective Gold  
30: 30u" Selective Gold
- Metal Shell Type  
A: Top Springs with 4 x Through-Hole Shield Pins

TABLE A:

ITEM	PART NAME	Q'TY	MATERIALS	NOTES
⑦	HDMI CONTACT	19	COPPER ALLOY	SELECTIVER Au OVER Ni
⑥	DISPLAYPORT CONTACT	20	COPPER ALLOY	SELECTIVER Au OVER Ni
⑤	BACK SHELL	1	STEEL	Cu UNDER PLATING Ni OVER
④	HDMI SHELL	1	COPPER ALLOY	Cu UNDER PLATING Ni OVER
③	DISPLAYPORT SHELL	1	COPPER ALLOY	Cu UNDER PLATING Ni OVER
②	SPACER	1	THERMOPLASTIC	UL94V-0
①	HOUSING	1	THERMOPLASTIC	UL94V-0

B	15.32±0.10	15.35±0.10
A	3.42±0.10	3.46±0.10
	LCP	PBT

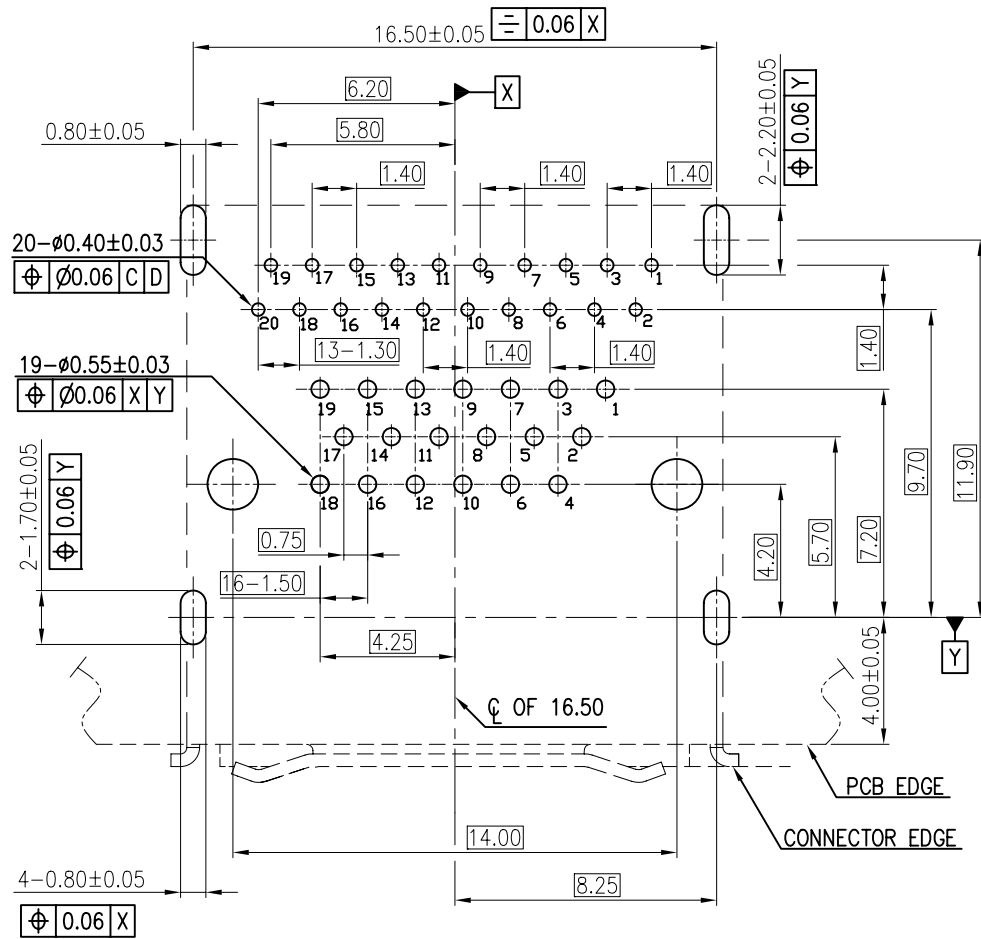
RoHS Compliant

	PANSTRONG COMPANY LTD.		DRAWN BY	TOMMY
			CHECKED	
TITLE:	DISPLAYPORT ADD HDMI COMBO RECEPTACLE DIP TYEP CONNECTOR		APPROVED	
PART NO:	DPHI-F1-01KxxA - 2		DRAWING NO.	
SCALE	3:1	REV	A	UNIT mm

TOLERANCE UNLESS SPECIFIED:

.000	±
.00	± 0.15
.0	± 0.25
.	±
ANGLE	± 1°

REV	DESCRIPTION	DATE
A	Initial Release	12'.06.29

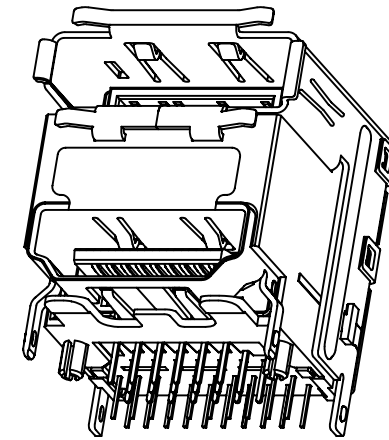


RECOMMENDED PCB LAYOUT (SCALE 2:1)  
THICKNESS=1.6±0.10mm

B	15.32±0.10	15.35±0.10
A	3.42±0.10	3.46±0.10
	LCP	PBT

TOLERANCE UNLESS SPECIFIED:

.000	±	0.15
.00	±	0.25
.0	±	1°



RoHS Compliant

PANSTRONG COMPANY LTD.				DRAWN BY		TOMMY	
				CHECKED			
TITLE: DISPLAYPORT ADD HDMI COMBO RECEPTACLE DIP TYPE CONNECTOR				APPROVED			
				DRAWING NO.			
PART NO:		DPHI-F1-01KxxA		UNIT		mm	
SCALE		3:1		REV		A	

