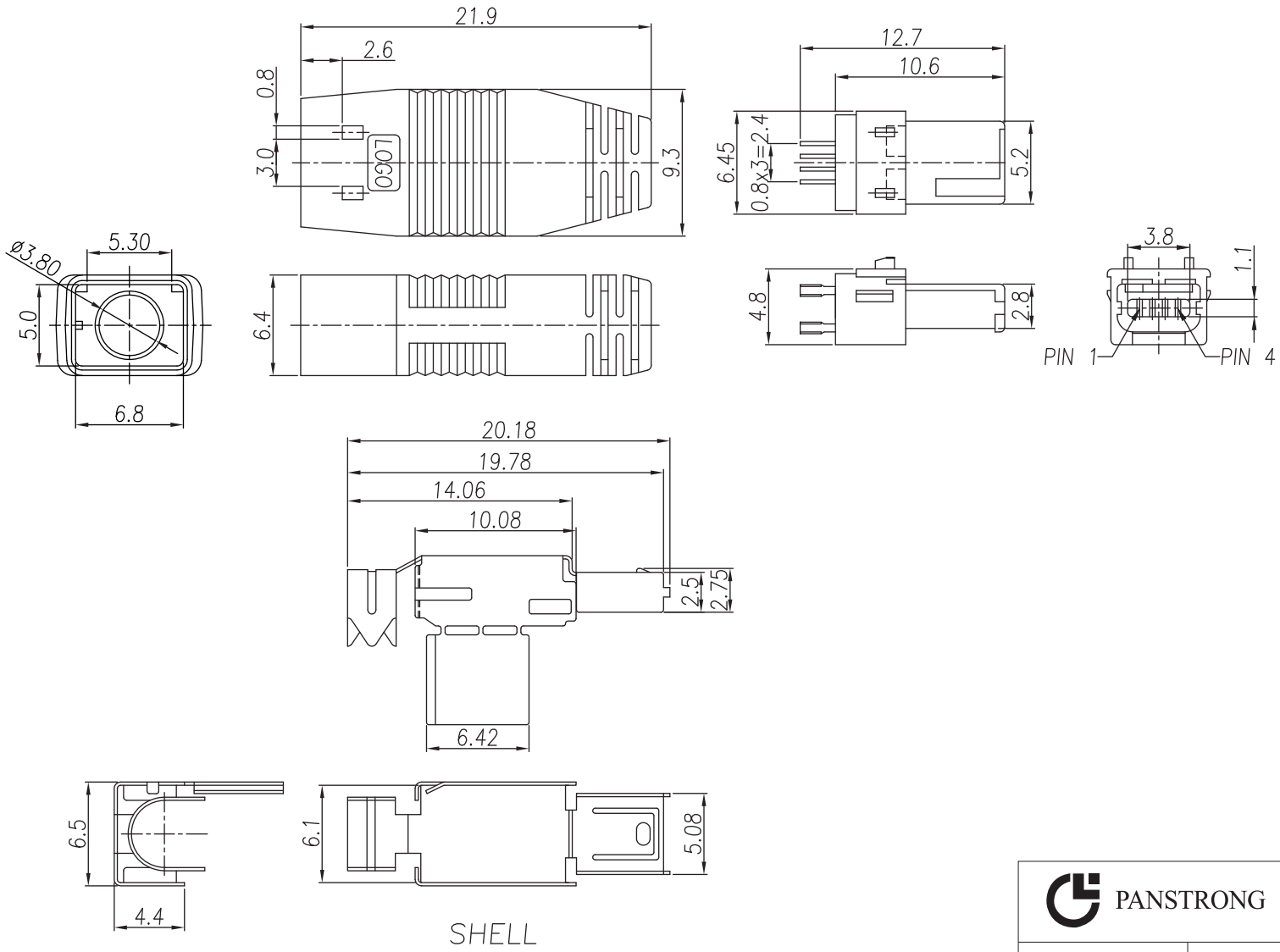


REV	DESCRIPTION	DATE
A	Initial Release	10'.07.09



- 1 Material:
- 1-1. CONTACT : PHOSPHOR BRONZE.
  - 1-2. HOUSING : NYLON 9T  
COLOR : SEE TABLE A
  - 1-3. SHELL : STAINLESS
  - 1-4. HOOD : NYLON 9T  
COLOR : SEE TABLE A
- 2 Plating:
- 2-1. CONTACT :  
CONTACT AREA : SEE TABLE A  
OTHER AREA : GOLD FLASH  
SOLDER AREA ; BRIGHT TIN  
UNDERPLATED : NICKEL

PART NO MUSBA4M01 K 10 A  
1 2

- 1. Hood Color: K:Black  
G:Beige
- 2. Contact: 10:Gold 10u"  
30:Gold 30u"

TOLERANCE	
.x	±0.20
.xx	±0.10
.xxx	±0.05
.xxxx	±0.03
ANGULA	±1°

PANSTRONG COMPANY LTD.				DRAWN BY		TOMMY	
				CHECKED			
TITLE:		MINI USB A 4P PLUG FOR CABLE ASSEMBLY				APPROVED	
PART NO:		MUSBA4M01Kxx-A				DRAWING NO.	
SCALE		1:1		REV		A	
UNIT		mm					