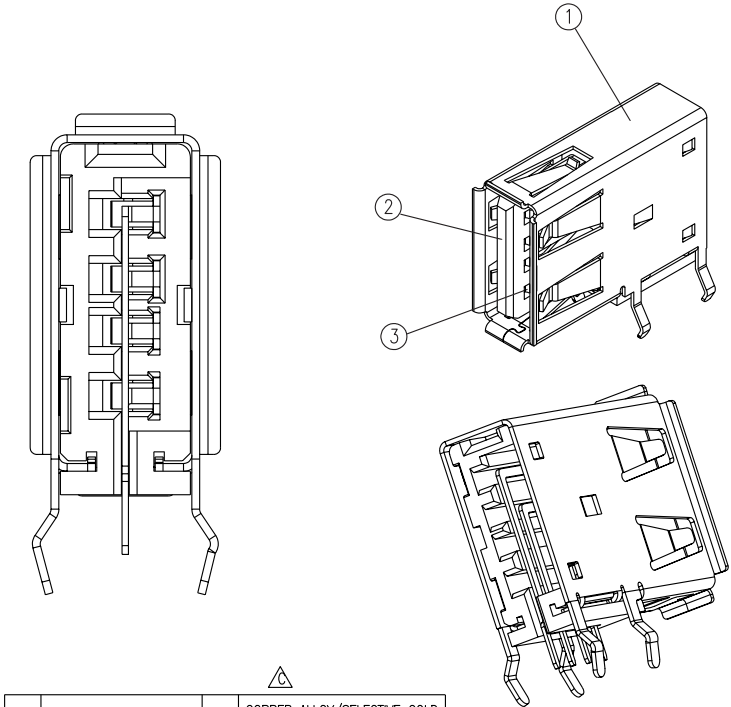
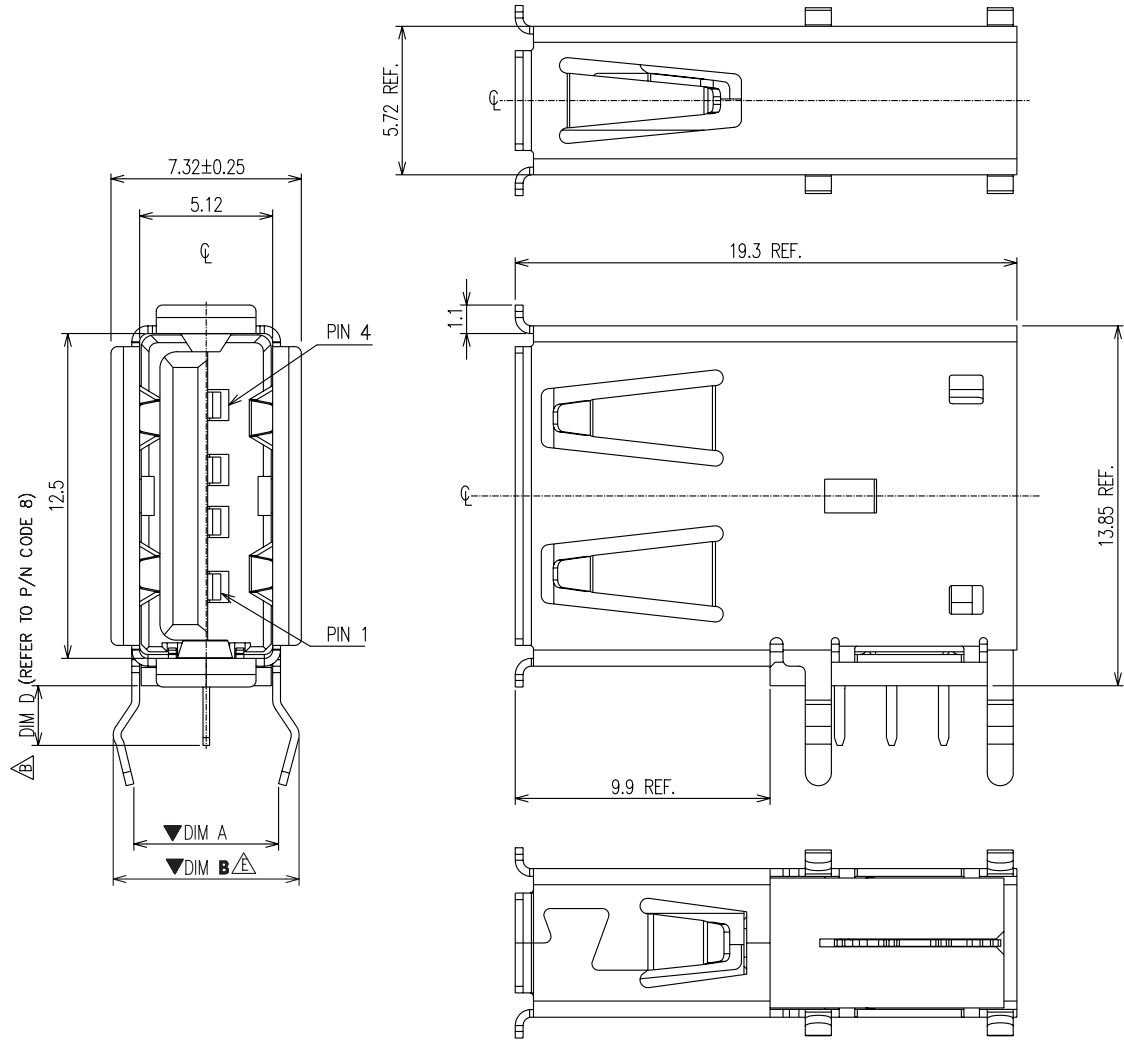


REV.	EC#	DESCRIPTION	DATE	DRAWN	CHECKED	APPROVED
A	SZECR-04179	NEW RELEASE	04/06/04'	WANG		TOM
B	SZECR04688-01	X5, AX5	2/7/05'	DEYI	FLYING	TOM
C	SZECR05434	X2, AX1, MX1	09/28/05'	ARPING	FLYING	TOM
D	SZECR07067-01	X1, AX1	11/29/07'	DJL	FLYING	FLYING
E	ECR08030	X2, MX2, DX1	06/17/08'	FOX	~	ROGER



ITEM	NAME	Q'TY	MATERIAL / FINISH
3	CONTACT	4	COPPER ALLOY/SELECTIVE GOLD PLATING(REFER TO "TABLE A")
2	HOUSING	1	THERMOPLASTIC, GLASS FILLED, UL 94V-0 RATED
1	SHELL	1	COPPER ALLOY/PLATED SEE TABLE A

ITEM	STANDARD	TYPE II
DIM A	5.57±0.20	5.44±0.20
DIM B	7.15±0.20	7.0±0.20

RoHS Compliant

TOLERANCES UNLESS OTHERWISE SPECIFIED		
GENERAL	X	±0.38
	.X	±0.25
	.XX	±0.13
	.XXX	±0.05
	X.	±3.0'
ANGLES	.X	±2.0'
	.XX	±1.0'

<b>PANSTRONG COMPANY LTD.</b>				DRAWN BY		TOMMY	
				CHECKED			
TITLE:				USB TYPE A (RECEPTACLE R/A, THRU-HOLE)			
PART NO:				UAR04-4F*5***			
File Number:							
SCALE		5:1	REV	A	UNIT	mm	

REV.	EC#	DESCRIPTION	DATE	DRAWN	CHECKED	APPROVED
A	SZECR-04179	NEW RELEASE	04/06/04'	WANG		TOM
B	SZECR04688-01	X5, AX5	2/7/05'	DEYI	FLYING	TOM
C	SZECR05434	X2, AX1, MX1	09/28/05'	ARPING	FLYING	TOM
D	SZECR07067-01	X1, AX1	11/29/07'	DJL	FLYING	FLYING
E	ECR08030	X2, MX2, DX1	06/17/08'	FOX	~	ROGER

NOTES :

1.0. RATING :

1.1. VOTAGE : 30 VAC (R.M.S.)

1.2. CURREN : 1.5 AMPERE MAXIMUM PER CONTACT AT 30°C T-RISE

1.3. TEMPERATURE : -55°C TO +85°C

2.0. ELECTRICAL CHARACTERISTIC :

2.1. CONTACT RESISTANCE : 30 MILLIOHMS MAXIMUM INITIAL

2.2. INSULATION RESISTANCE : 1,000 MEGOHMS MINIMUM

2.3. DIELECTIC WITHSTANDING VOLTAGE : 500 VAC AT SEE LEVEL

3.0. OTHERS :

3.1. PRODUCT NUMBERING CODE : REFER TO TABLE A

3.2. RECOMMENDED PC BOARD THICKNESS OF 1.60mm

3.3. RECOMMENDED PC BOARD MOUNTING DIMMENSION : REFER FIGURE B

3.4. DATUM AND BASIC DIMMENSIONS ESTABLISHED BY CUSTOMER.

TABLE A: PRODUCT NUMBERING CODE:

UAR04 - 4 F W 05 C H X

1 2 3 4 5 6 7 8

- Type: A, Through Hole, Vertical
- No. of Contact: 4 Positions
- F: Socket
- Color of Insulation: W White, K Black
- Plating of Contact: 05: 5u" Gold  
30: 30u" Gold
- Plating of Shell:  
C: Bright Tin J: Nickel
- Material of Housing  
Blank: PBT  
H: PA-6T
- Shell Type & Housing Type & Length of Solder Tail(DIM D):  
Blank: Shell Standard & Housing Type I & 2.30MM  
1: Shell Type II & Housing Type I & 2.30MM  
2: Shell & Housing Standard & 2.30MM  
A: Shell Standard & Housing Type II & 2.30MM  
B: Shell Type II & Housing Type II & 2.30MM  
Y: Shell Standard & Housing Type & 3.30MM

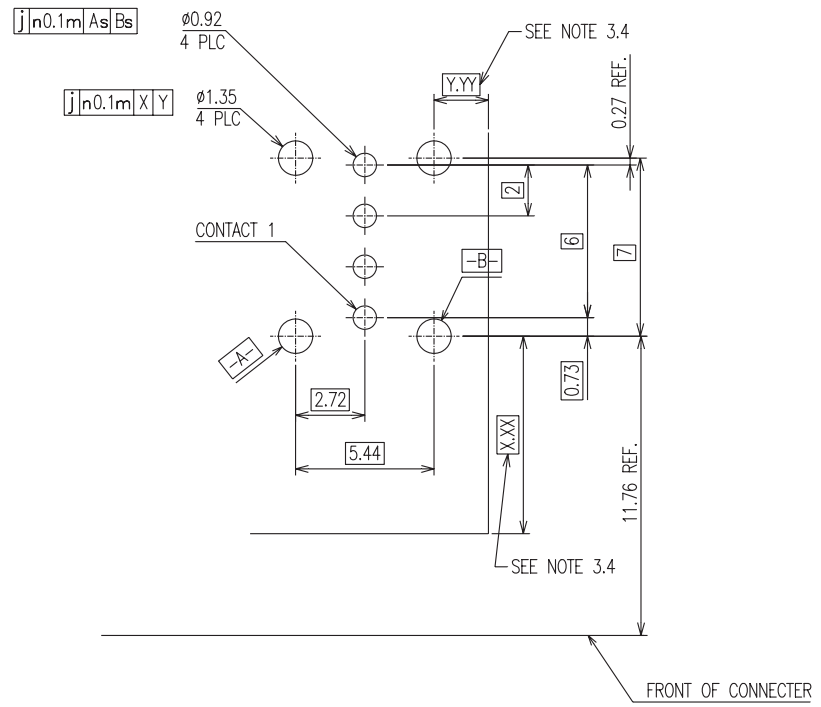


FIGURE B: PC BOARD MOUNTING DIMENSIONS

RoHS Compliant

TOLERANCES UNLESS OTHERWISE SPECIFIED		
GENERAL	X	±0.38
	.X	±0.25
	.XX	±0.13
	.XXX	±0.05
	X.*	±3.0°
ANGLES	.X°	±2.0°
	.XX°	±1.0°

PANSTRONG COMPANY LTD.				DRAWN BY		TOMMY	
				CHECKED			
TITLE:		USB TYPE A (RECEPTACLE R/A, THRU-HOLE)				APPROVED	
PART NO:		UAR04-4F*5***				DRAW NO	
File Number:							
SCALE	5:1	REV	A	UNIT	mm		