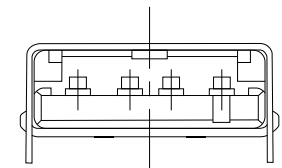
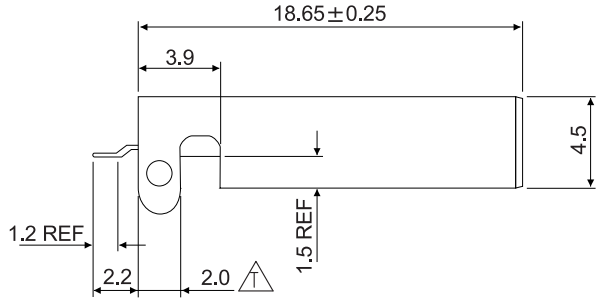
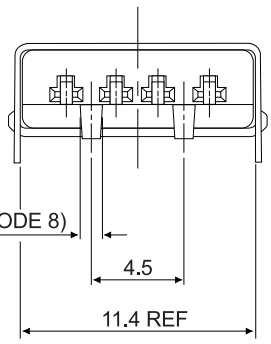
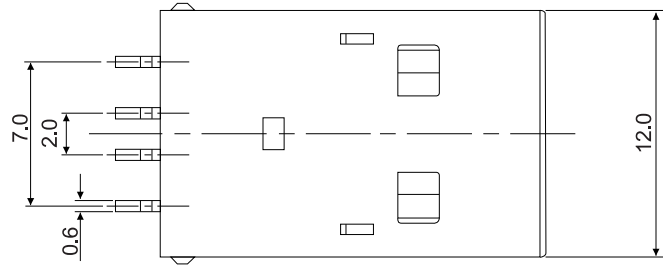


REV.	DESCRIPTION	DATE
S	MX2	04/27/05'
T	M X 4	06/01/05'
U	MX3	06/20/05'
V	MX1, MX1, DX2	10/07/05'
W	X1, MX1	12/12/06'



ROHS COMPLIANT

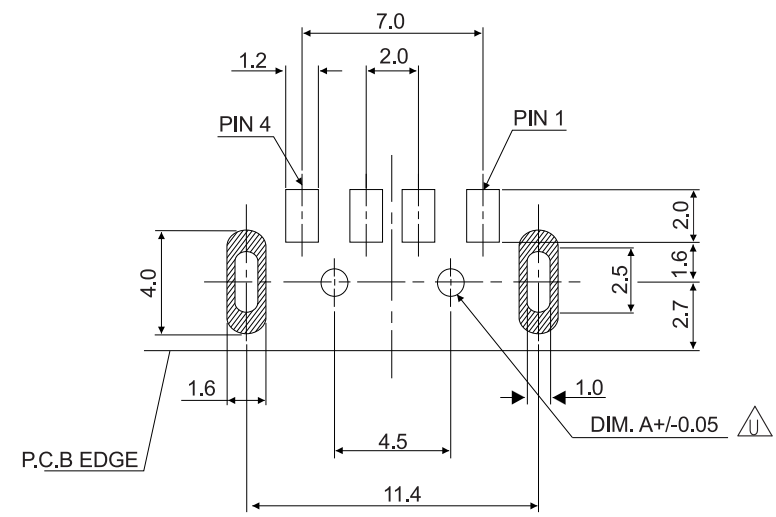
ITEM	NAME	Q'TY	MATERIAL / FINISH
3	CONTACT	4	COPPER ALLOY/SELECTIVE GOLD PLATED (REFER TO "TABLE A")
2	INSULATOR	1	THERMOPLASTIC, UL 94V-0 RATED
1	SHELL	1	COLD ROLL STEEL/PLATED (REFER TO "TABLE A")

TOLERANCES UNLESS OTHERWISE SPECIFIED		
GENERAL	X.	±0.38
	.X	±0.25
	.XX	±0.13
	.XXX	±0.05
ANGLES	X.°	±3.0°
	.X°	±2.0°
	.XX°	±1.0°

貝強實業有限公司 PANSTRONG COMPANY LTD.				DRAWN BY		TOMMY	
				CHECKED			
TITLE:		USB PLUG CONNECTOR SERIES A 4POSITIONS TYPE				APPROVED	
PART NO:		USBA4M0301-2				DRAW NO	
DRAW. BOX NO:							
SCALE	4:1	REV	W	UNIT	mm		

REV.	DESCRIPTION	DATE
S	X2 MX2	04/27/05'
T	X4 M X 4	06/01/05'
U	X3 MX3	06/20/05'
V	X1, MX1, DX2	10/07/05'
W	X1, MX1	12/12/06'

NOTES:
1.0 RATING:
1.1 VOLTAGE:30 VAC (R.M.S.)
1.2 CURRENT:1.5A MAXIMUM
1.3 TEMPERATURE:-55°C TO +85°C UNLESS LIMITED BY CABLE OR OVERMOLD(-40°C TO +85°C STORAGE; +0°C TO +40°C OPERATING)
2.0 ELECTRIC CHARACTERISTIC:
2.1 CONTACT RESISTANCE:30 MILLIOHMS MAXIMUM INITIAL
2.2 INSULATION RESISTANCE:1,000 MEGOHMS MINIMUM
2.3 DIELECTRIC WITHSTANDING VOLTAGE:500 VAC AT SEA LEVER
3.0 FINISHS:
3.1 SHELL:
TIN:5.0 um TIN OVER 2.5um COPPER
4.0 OTHERS:
4.1 PRDOUCT NUMBERING CODE REFER TO TABLE A



PART NO.
USB A 4 M 03 01 - 2 * 05 0
1 2 3 4 5 6 7 8

- 1. A: A Type
- 2. Contact positions: 4
- 3. M: Male Type
- 4. 03: SMT
- 5. 01: Right Angle
- 6. Insulator Color: N: White K: Black
- 7. Contact Gold Plating:
05: 5u" Gold 30: 30u" Gold
- 8. Post Dia.(DIM. A)
0: § 1.1
Blank: § 1.5

Standard Shell Plating: Nickel

§ 1.5	§ 1.6
§ 1.1	§ 1.2
POST DIM	DIM.A

ROHS COMPLIANT

TOLERANCES UNLESS OTHERWISE SPECIFIED	
GENERAL	X. ±0.38
	.X ±0.25
	.XX ±0.13
	.XXX ±0.05
ANGLES	X° ±3.0°
	.X° ±2.0°
	.XX° ±1.0°

貝強實業有限公司 PANSTRONG COMPANY LTD.		DRAWN BY		TOMMY	
		CHECKED			
TITLE:		USB PLUG CONNECTOR SERIES A 4 POSITIONS TYPE			
PART NO:		USBA4M0301-2			
DRAW. BOX NO:					
SCALE		4:1	REV	W	
UNIT		mm			