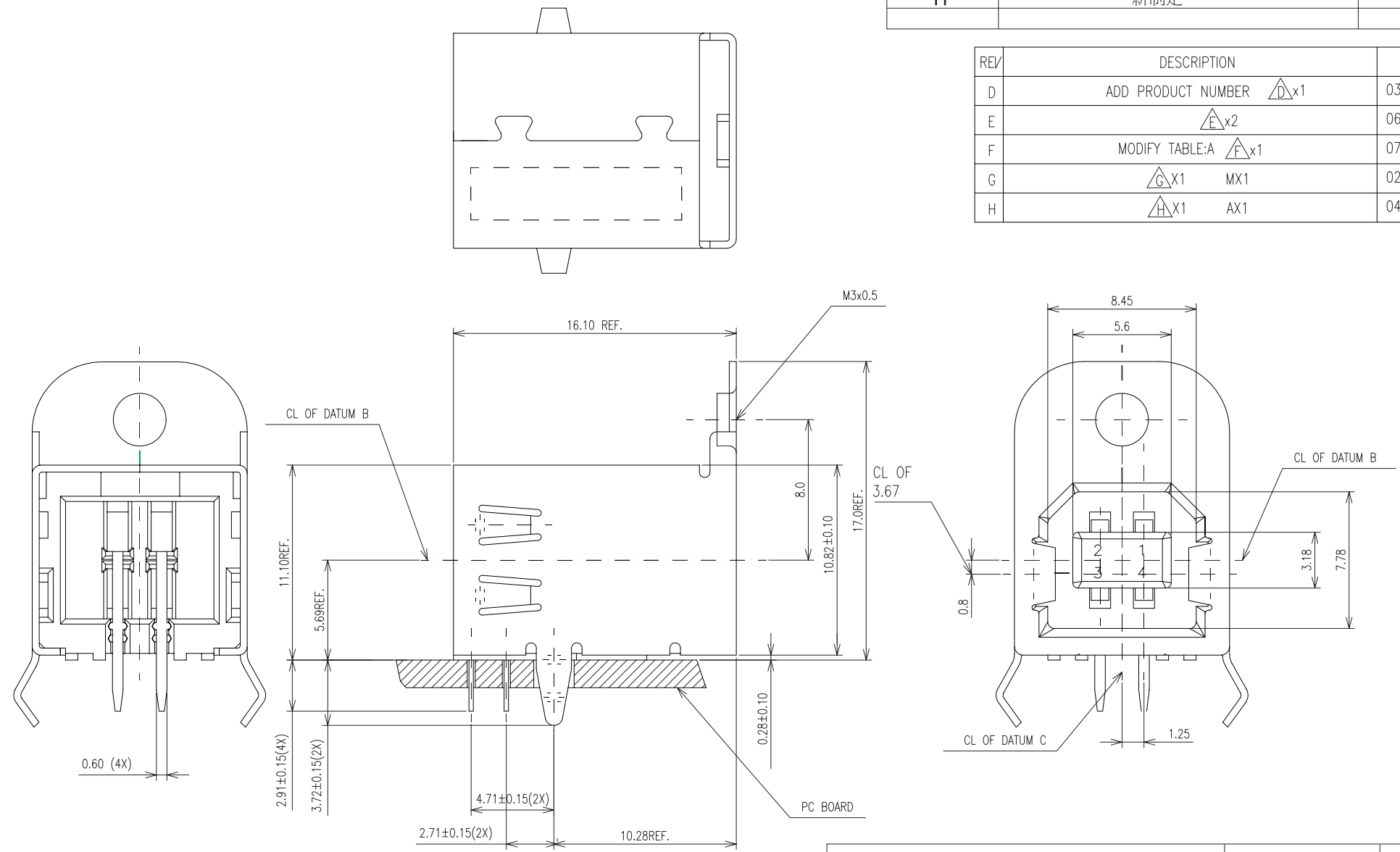


REV	DESCRIPTION	DEAT
H	新制定	06.03.28

REV	DESCRIPTION	DATE
D	ADD PRODUCT NUMBER $\triangle D \times 1$	03/02/04'
E	$\triangle E \times 2$	06/02/04'
F	MODIFY TABLE:A $\triangle F \times 1$	07/05/04'
G	$\triangle G \times 1$ MX1	02/07/05'
H	$\triangle H \times 1$ AX1	04/12/05'



PANSTRONG COMPANY LTD.				DRAWN BY		TOMMY	
				CHECKED			
TITLE:		USB CONNECTOR, SERIES B, WITH SCREW 4 POSITIONS, R/A, THRU-HOLE(CUSTOMER DRAWING)				APPROVED	
PART NO:		UBR01G-4F* ** J				DRAW NO	
DRAW. BOX NO:							
SCALE	Free	REV	H	UNIT	mm		

ROHS COMPLIANT

REV	DESCRIPTION	DATE
H	新制定	06.03.28

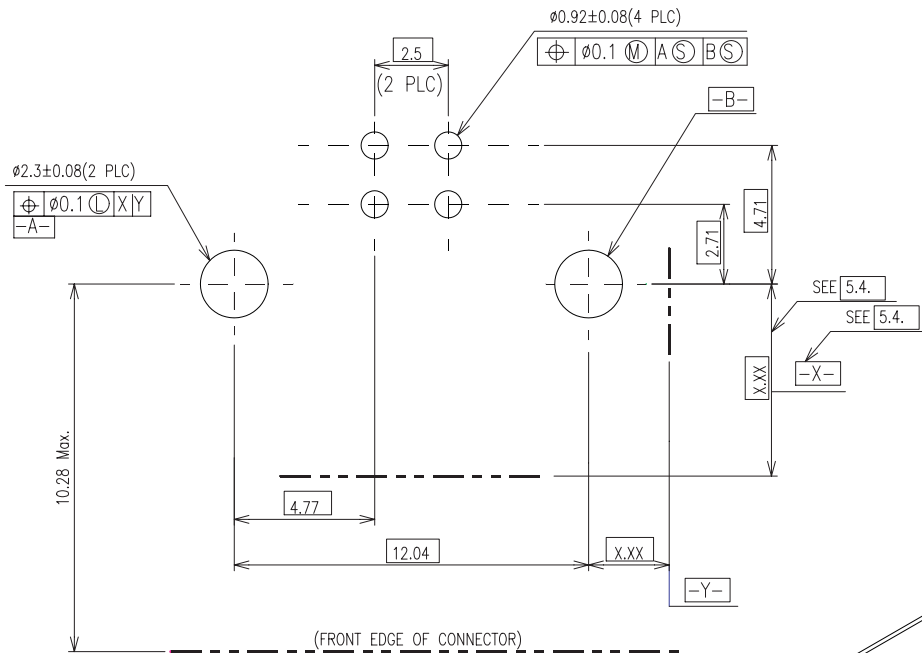
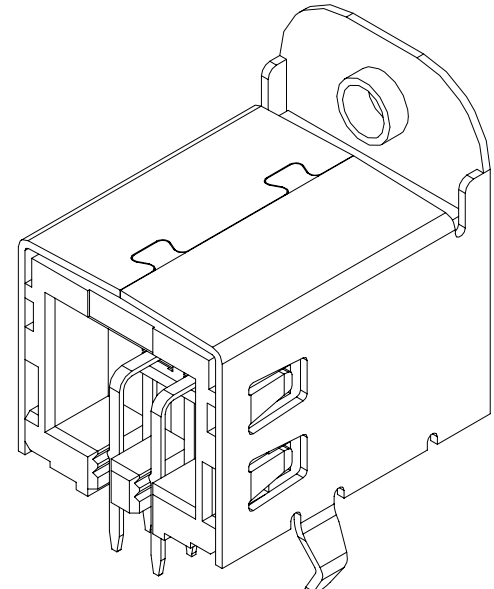


FIGURE A: PCB FOOTPRINT FOR RECEPTACLE. (THROUGH-HOLE)



- △ NOTES :
- RATING :
 - VOTAGE : 30 VAC (R.M.S.)
 - CURRENT : 1.5A MAXIMUM
 - TEMPERATURE : -20°C TO +65°C(REF. TO CSP-UAC10-00-00)
 - ELECTRICAL CHARACTERISTIC :
 - CONTACT RESISTANCE : 30 MILLIOHMS MAXIMUM INITIAL
 - INSULATION RESISTANCE : 1,000 MEGOHMS MINIMUM
 - DIELECTIC WITHSTANDING VOLTAGE : 500 VAC AT SEA LEVEL
 - CAPACITANCE : 2 PICOFARADS MAXIMUM AT 1KHZ
 - MATERIALS :
 - SHELL : COPPER ALLOY
 - HOUSING : THERMOPLASTIC, GLASS FILLED, 130°C, UL 94V-0 RATED
 - CONTACT : COPPER ALLOY
 - FINISHES :
 - SHELL : NICKEL+TIN W/O LOGO
 - CONTACT : SELECTIVE GOLD PLATING (REFER TO "TABLE A")
 - OTHERS :
 - RECOMMENDED PC BOARD THICKNESS OF 1.57mm
 - THIS ALLOW FOR A PANEL THICKNESS OF 2.67mm MAXIMUM, IF THE RECEPTACLE CONNECTOR IS MOUNTED BEHIND A PANEL.
 - RECOMMENDED PC BOARD MOUNTING DIMMENSION : REFER FIGURE A 5.4 DATUM AND BASIC DIMMENSIONS ESTABLISHED BY CUSTOMER.
 - PRODUCT NUMBER CROSS REFERENCE :REFER TO TABLE A
 - TORQUE : 3Kg-Cm(Min.)

UBR01G - 4 F W 05 J
 1 2 3 4 5 6

- Type: B, Through Hole, Vertical
- No. of Contact: 4 Positions
- F: Socket
- Color of Insulation: W White, K Black
- Plating of Contact: 05: 5u" Gold
30: 30u" Gold
- Plating of Shell: C: Bright Tin J: Nickel

ROHS COMPLIANT

PANSTRONG COMPANY LTD.				DRAWN BY		TOMMY	
				CHECKED			
TITLE:		USB CONNECTOR, SERIES B, WITH SCREW 4 POSITIONS, R/A, THRU-HOLE(CUSTOMER DRAWING)				APPROVED	
PART NO:		UBR01G-4F *** J				DRAW NO	
DRAW. BOX NO:							
SCALE	Free	REV	H	UNIT	mm		