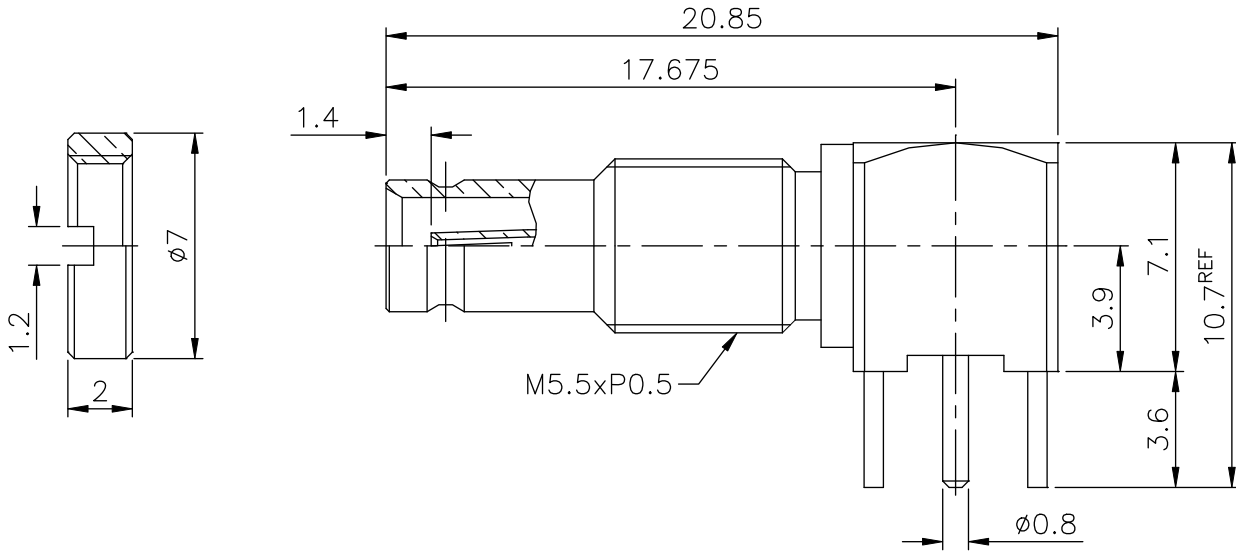


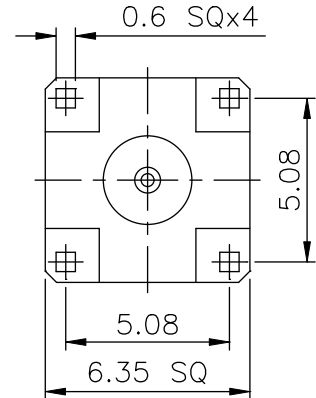
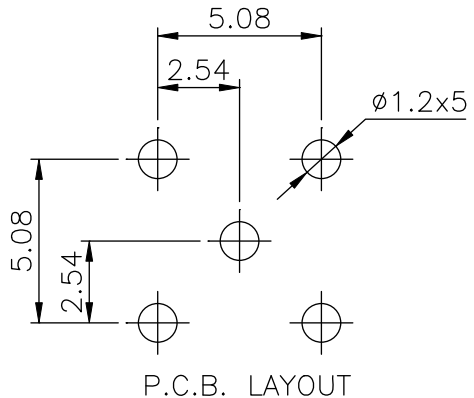
| REV | DESCRIPTION | DATE |
|-----|-----------------|-----------|
| A | Initial Release | 06'.08.11 |

REMARK: RoHS COMPLIANT



- FINISH (PLATING THICKNESS IN MICRO-INCHES)
1. BRASS PER QQ-B-626
 2. GOLD PL 3 MIN OVER NICKEL PL 70 MIN THICK OVER COPPER STRIKE
 3. GOLD PL 30 MIN OVER NICKEL PL 70 MIN THICK OVER COPPER STRIKE
 4. TEFLON MIL-P-19468
 5. BERYLLIUM COPPER PER QQ-C-530
 6. NICKEL PL 70 MIN THICK OVER COPPER STRIKE

| | | |
|-------------|----------|--------|
| NUT | NOTE 1 | NOTE 6 |
| INSULATOR | NOTE 4 | WHITE |
| BODY | NOTE 1 | NOTE 2 |
| INSULATOR | NOTE 4 | WHITE |
| CONTACT PIN | NOTE 5 | NOTE 3 |
| CUBE BODY | NOTE 1 | NOTE 2 |
| DESCRIPTION | MATERIAL | FINISH |



UNLESS OTHERWISE SPECIFIED TOLERANCES

| | |
|-----------|--------|
| 0.5-6 | = ±0.2 |
| >6-30 | = ±0.4 |
| >30-120 | = ±0.6 |
| >120-315 | = ±1 |
| >315-1000 | = ±1.6 |
| ANGLES | = ±5° |

| | | | |
|------------------------|----------------------------|----------|---------------------------------|
| PANSTRONG COMPANY LTD. | | DRAWN BY | TOMMY |
| | | CHECKED | |
| TITLE: | 1.0/2.3 R/A PCB MOUNT JACK | | APPROVED |
| PART NO: | 1023F01G0101 | | DRAWING NO. 1023F01G0101-BD000B |
| SCALE | 4:1 | REV | A |
| UNIT | mm | | |