

REV	DESCRIPTION	DATE
A	Initial Release	08'.04.25

SPEC :

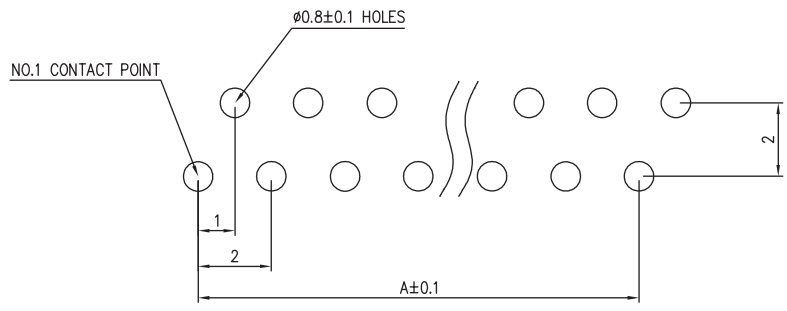
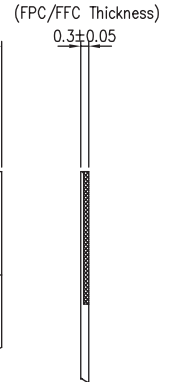
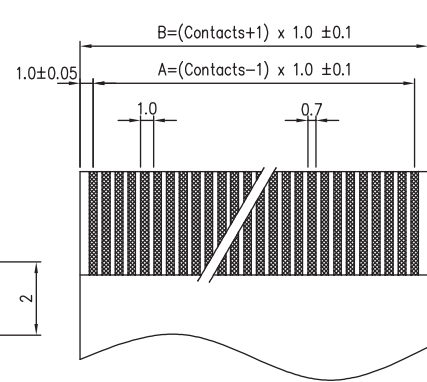
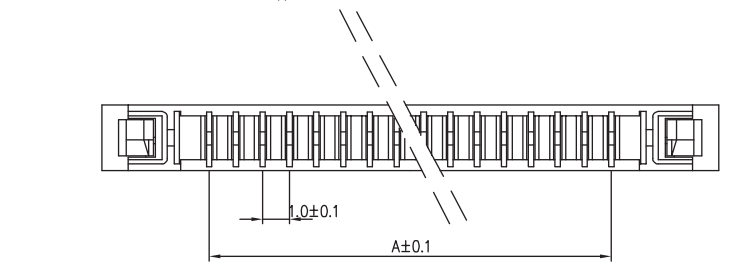
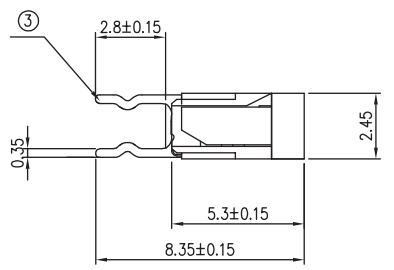
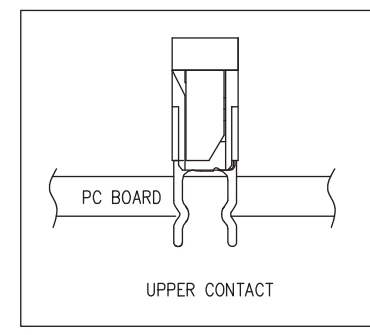
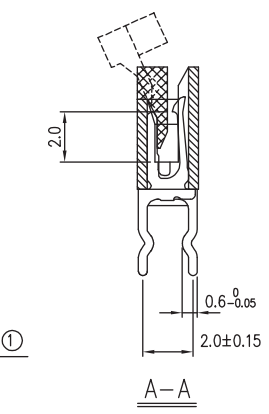
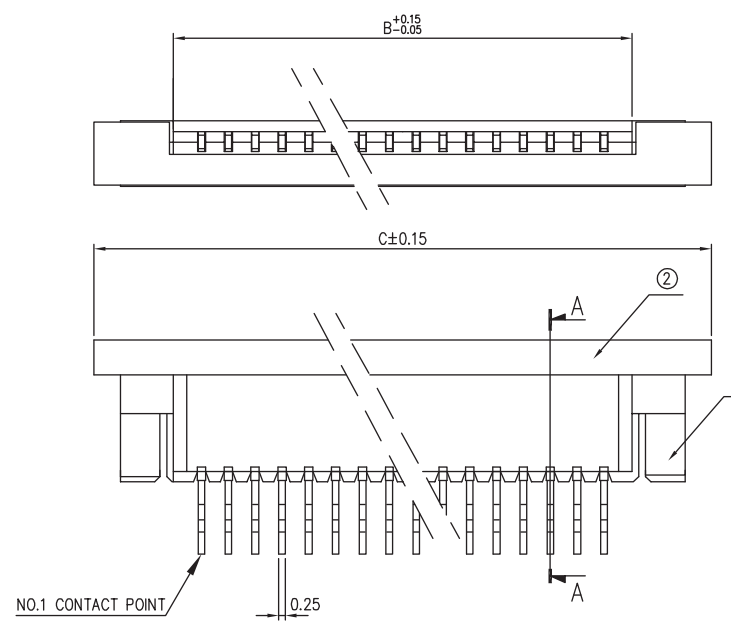
- Housing: NY-46 UL94V-0
Initial: 500M Ohms Min.
Color: Grey
- Locker: PPS UL94V-0
Initial: 500M Ohms Min.
Color: Brown
- Contact: Phosphor Bronze
Initial: 30m Ohms Max.
Tin/Lead-Plated
Voltage Rating: 50V AC, DC
- Temperature Rating : -25°C ~ +85°C
- Dielectric Withstanding Voltage : 500V AC/Min

PART NO.

FP $\frac{xx}{1}$ H53-C01SWZA- $\frac{G}{2}$

- Contact Positions: 04...40
- Contact Plating:
Blank: Tin
G: Flash Gold

No. of Contacts	DIMENSION			No. of Contacts	DIMENSION		
	A	B	C		A	B	C
4	3.0	5.1	11.0	23	22.0	24.1	30.0
5	4.0	6.1	12.0	24	23.0	25.1	31.0
6	5.0	7.1	13.0	25	24.0	26.1	32.0
7	6.0	8.1	14.0	26	25.0	27.1	33.0
8	7.0	9.1	15.0	27	26.0	28.1	34.0
9	8.0	10.1	16.0	28	27.0	29.1	35.0
10	9.0	11.1	17.0	29	28.0	30.1	36.0
11	10.0	12.1	18.0	30	29.0	31.1	37.0
12	11.0	13.1	19.0	31	30.0	32.1	38.0
13	12.0	14.1	20.0	32	31.0	33.1	39.0
14	13.0	15.1	21.0	33	32.0	34.1	40.0
15	14.0	16.1	22.0	34	33.0	35.1	41.0
16	15.0	17.1	23.0	35	34.0	36.1	42.0
17	16.0	18.1	24.0	36	35.0	37.1	43.0
18	17.0	19.1	25.0	37	36.0	38.1	44.0
19	18.0	20.1	26.0	38	37.0	39.1	45.0
20	19.0	21.1	27.0	39	38.0	40.1	46.0
21	20.0	22.1	28.0	40	39.0	41.1	47.0
22	21.0	23.1	29.0				



P.C.B LAYOUT

RoHS Compliant

General Tolerance
X.± 0.50
.X± 0.30
.XX± 0.20
.XXX± 0.10

				DRAWN BY		TOMMY			
				CHECKED					
TITLE:		FPC P1.0 H5.3 DIP Vertical, Cross Pin Type A				APPROVED			
PART NO:		FPxxH53-C01SWZA				DRAWING NO.		FPCC-01053DU-XXX-1	
SCALE		4:1	REV	A	UNIT	mm			