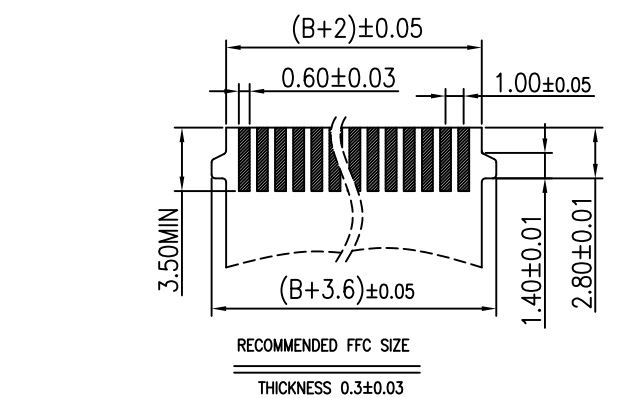
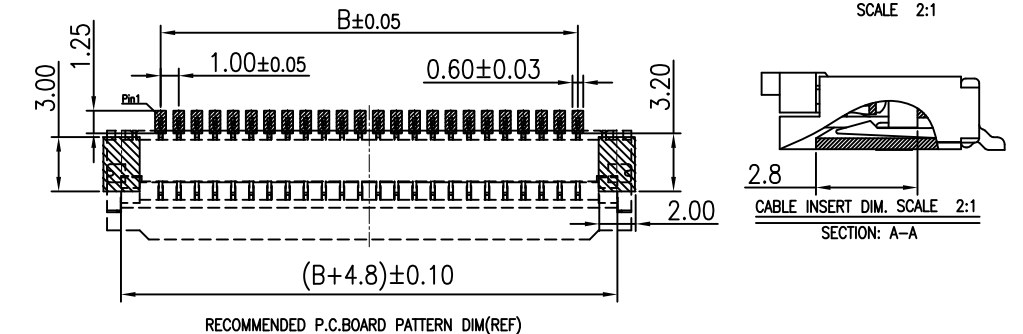
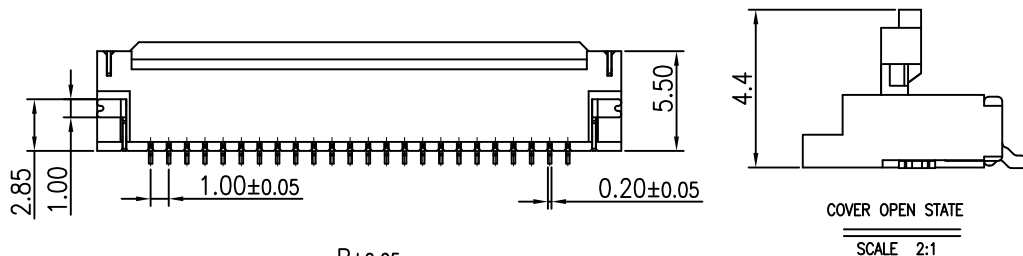
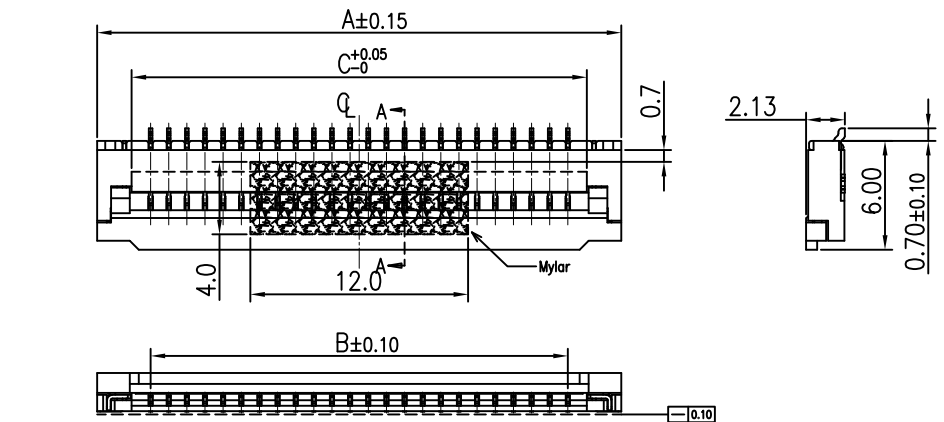


REV	DESCRIPTION	DATE
A	Initial Release	08'.06.18



- HOUSING: HIGH TEMPERATURE PLASTIC UL 94V-0
COLOR:WHITE
- ACTUATOR: HIGH TEMPERATURE PLASTIC UL 94V-0
COLOR:BLACK
- TERMINAL:COPPER ALLOY: t=0.20mm
PLATING:GOLD FLASH OR MATTE-TIN PLATIED (LEAD FREE)
- FITTING NAIL:COPPER ALLOY: t=0.20mm
PLATING: MATTE-TIN PLATIED (LEAD FREE)

PART NO.
FP $\frac{xx}{1}$ -C03RWDZ-CF- $\frac{K}{2}$ - $\frac{G}{3}$ $\frac{R}{4}$

- Contact Positions: 04iK32
- Cable Mounting Type:
Blank : Standard
K : with Keys
- Contact Plating
Blank: Tin
G : Flash Gold
- Package:
T: Tube
R: Tape & Reel (2000 pcs per reel)

★ Have Produce Pin Number

Pin	A	B	C
04	8.9	3.0	5.1
05	9.9	4.0	6.1
06	10.9	5.0	7.1
07	11.9	6.0	8.1
08	12.9	7.0	9.1
09	13.9	8.0	10.1
10	14.9	9.0	11.1
11	15.9	10.0	12.1
12	16.9	11.0	13.1
13	17.9	12.0	14.1
14	18.9	13.0	15.1
15	19.9	14.0	16.1
16	20.9	15.0	17.1
17	21.9	16.0	18.1
18	22.9	17.0	19.1
19	23.9	18.0	20.1
20	24.9	19.0	21.1
21	25.9	20.0	22.1
22	26.9	21.0	23.1
23	27.9	22.0	24.1
★ 24	28.9	23.0	25.1
25	29.9	24.0	26.1
★ 26	30.9	25.0	27.1
27	31.9	26.0	28.1
28	32.9	27.0	29.1
29	33.9	28.0	30.1
★ 30	34.9	29.0	31.1
31	35.9	30.0	32.1
★ 32	36.9	31.0	33.1

TOLERANCES	
0.0	±0.25
0.00	±0.20

PANSTRONG COMPANY LTD.				DRAWN BY		TOMMY				
				CHECKED						
TITLE:		FPC/FFC Connector 1.0mm Press FFC Look Type H=2.0mm		APPROVED						
PART NO:		FPxx-C03RWDZ-CF-K-GR		DRAWING NO.		FPC10PLMN-H20				
SCALE		/		REV	A		UNIT	mm		