

REV	DESCRIPTION	DATE
A	Initial Release	00.11.12

MATERIAL
 INSULATOR: GLASS-REINFORCED THERMOPLASTIC.
 CONTACT: COPPER ALLOY.
 PLATING: ALL TIN,LEAD FREE.

ELECTRICAL
 CURRENT RATING: 0.5 AMP.
 DIELECTRIC WITHSTANDING VOLTAGE: 500 VAC MIN.
 INSULATION RESISTANCE: 1000 MEGAOHMS MIN.
 CONTACT RESISTANCE: 30 MILLIOHMS MAX.

ENVIRONMENTAL
 TEMPERATURE RANGE: -55°C TO 85°C.

PART NO.

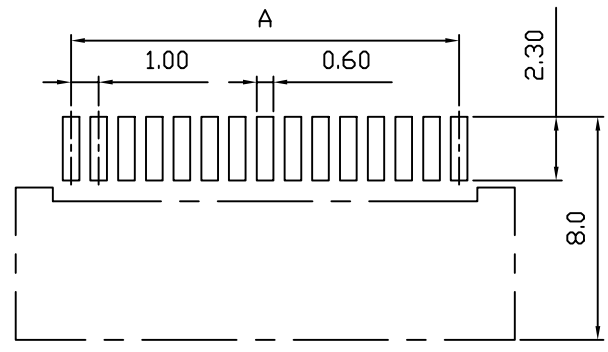
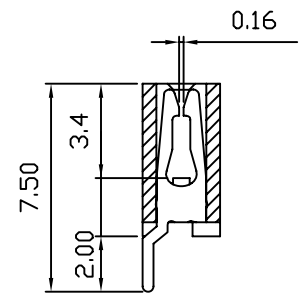
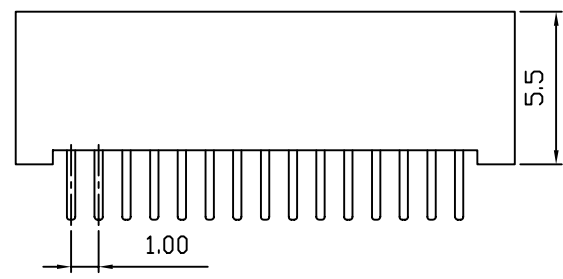
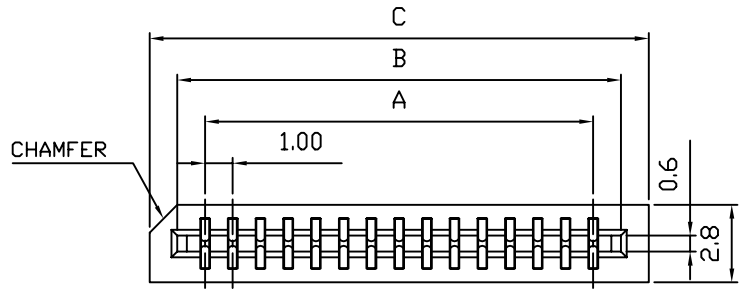
FP xx - C 03 R K U N R

Number of Contacts
 03...30 pins

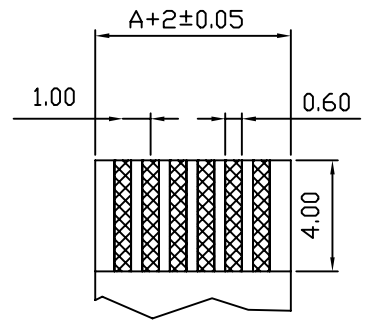
Package:
 Blank: PVC Tube
 R : Tape & Reel

DIMENSION TABLE

Circuits	Dimension				
	A	B	C	L	
3	2.00	4.1	6		4
4	3.00	5.1	7		
5	4.00	6.1	8		
6	5.00	7.1	9		8
7	6.00	8.1	10		
8	7.00	9.1	11		
9	8.00	10.1	12		
10	9.00	11.1	13		12
11	10.00	12.1	14		
12	11.00	13.1	15		
13	12.00	14.1	16		
14	13.00	15.1	17		
15	14.00	16.1	18		12
16	15.00	17.1	19		
17	16.00	18.1	20		
18	17.00	19.1	21		
19	18.00	20.1	22		
Circuits	Dimension				
A	B	C	L		
20	19.00	21.1	23		12
21	20.00	22.1	24		
22	21.00	23.1	25		
23	22.00	24.1	26		
24	23.00	25.1	27		
25	24.00	26.1	28		
26	25.00	27.1	29		
27	26.00	28.1	30		
28	27.00	29.1	31		
29	28.00	30.1	32		
30	29.00	31.1	33		



RECOMMENDED PCB LAYOUT



FPC/FFC T=0.30±0.05

TOLERANCES

X.±	X.±0.40
.X±	.X±0.30
.XX±	.XX±0.20
.XXX±	.XXX±0.10

PANSTRONG COMPANY LTD.	DRAWN BY	TOMMY
	CHECKED	
TITLE: FPC/FFC Connector Non ZIF Side Entry Contact Smt Type Paralled PCB Layout(Pitch 1.0mm)	APPROVED	
PART NO: FPxx-C03RKUN	DRAW NO	
File Number:		
SCALE	1:1	REV A
	UNIT	mm