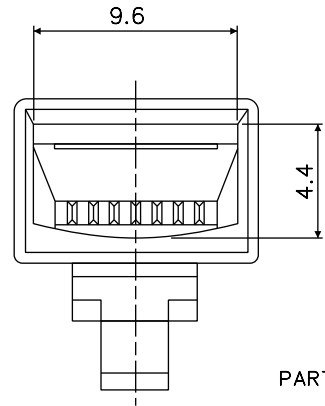
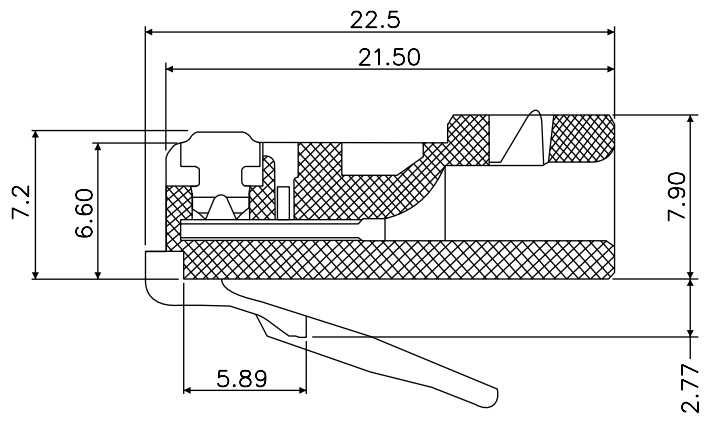
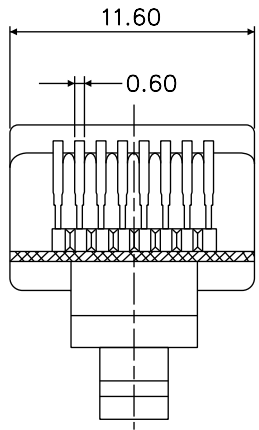
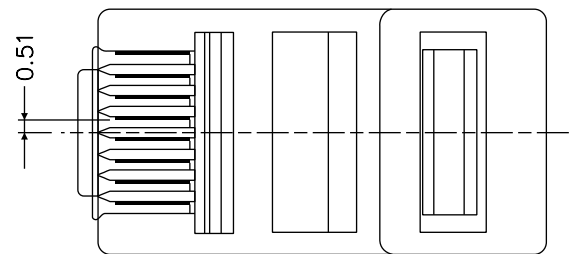


REV	DESCRIPTION	DATE
A	Initial Release	00'.06.23



MATERIAL:

- 1.Housing: Polycarbonate, UL 94V-2 or UL 94V-0.
- 2.Terminal: 0.014 Inch Phosphor Bronze Plated with 0.0005 Inch Thick Gold in Localized Gold Plate Area, Gold Flash over the Remalander, over 0.0001 Inch Thick Nickel Underplate.

PART NO. MP- 8 8 R 02 U2 03 01

No. of Position ——— 8

No. of Contact ——— 8

R: Round Cable ——— R

F: Flat Cable ——— F

01: No Logo

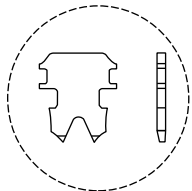
Gold Plating:
3u", 6u", 15u", 30u", 50u"

U2: UL94V-2, U0: UL94V-0

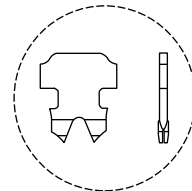
Blank: 2 Prongs for Stranded Wires

02: 2 Prongs for Solder Wires

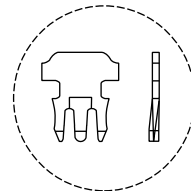
03: 3 Prongs for Solder Wires



2 Prongs For Stranded Wire



2 Prongs For Solder Wire



3 Prongs For Solder Wire

TOLERANCE	
.X	±0.250
.XX	±0.150
.XXX	±0.050

PANSTRONG COMPANY LTD.				DRAWN BY		TOMMY	
				CHECKED			
TITLE:		Modular Plug RJ45 8P8C for Round Cables				APPROVED	
PART NO:		MP88RU2**01				DRAW NO	
File Number:							
SCALE	/	REV	A	UNIT	mm		