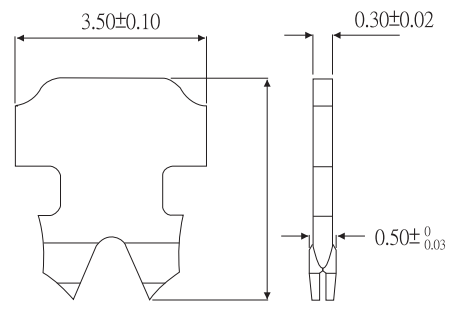
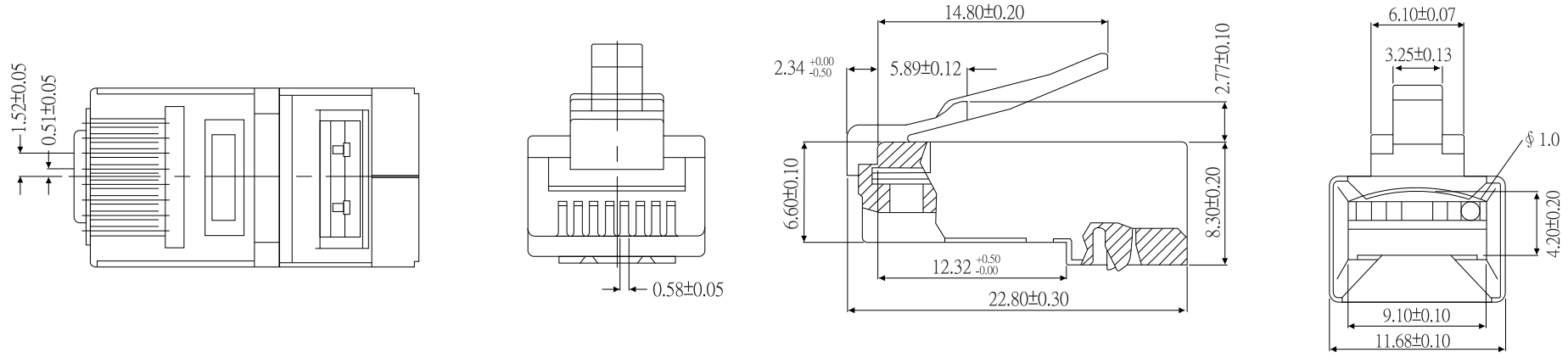


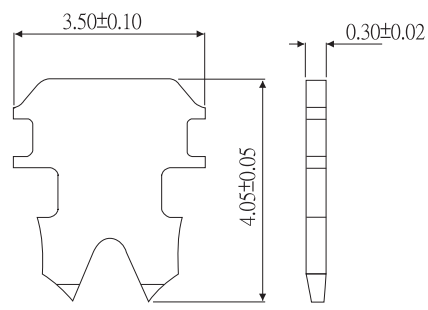
REV	DESCRIPTION	DATE
A	Initial Release	06.06.21

MATERIAL:

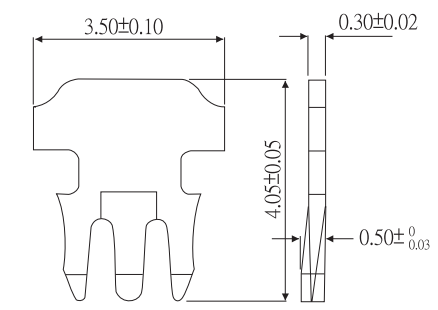
- Housing : Polycarbonate, UL 94V-2 or UL 94V-0
- Terminal : 0.014 Inch Phosphor
- 3.3u" ~ 5u" Gold over
- 80u" ~ 100u" Nickel Plated



"": 2 PRONGS FOR STRANDED WIRE

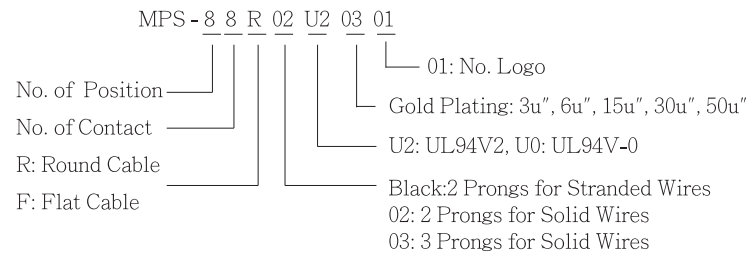


"2": 2 PRONGS FOR SOLID WIRE(SS)



"3": 3 PRONGS FOR SOLID WIRE(S)

PART NO.



PANSTRONG COMPANY LTD.				DRAWN BY		TOMMY
				CHECKED		
TITLE:		#T8TR* ** MP8P8C R.SH D			APPROVED	
PART NO :		MPS88R			DRAW NO	
DRAW. BOX NO :						
SCALE		REV	A	UNIT	mm	