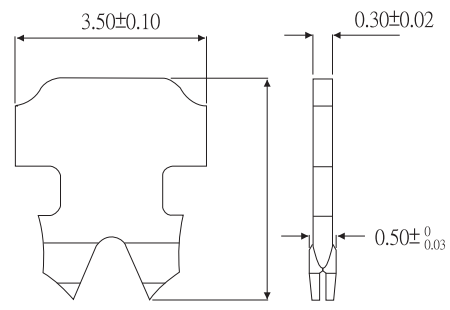
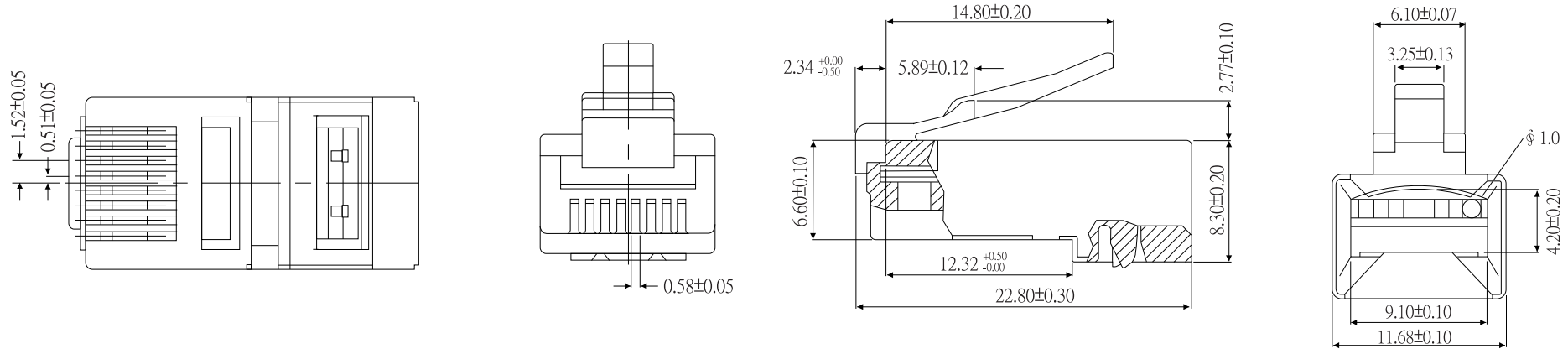


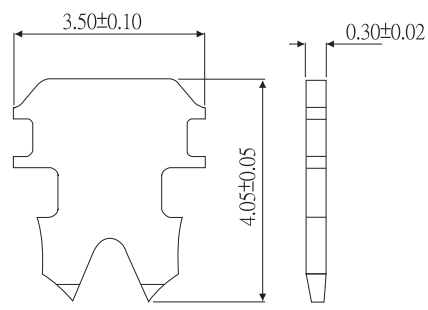
REV	DESCRIPTION	DATE
A	Initial Release	06.06.23

**MATERIAL:**

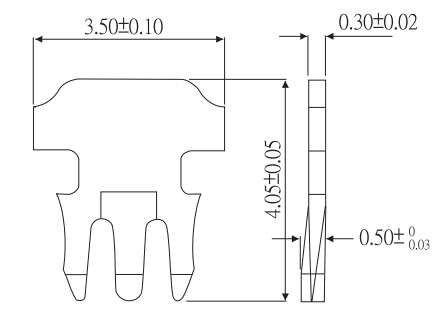
- 1.Housing : Polycarbonate,UL 94V-2 or UL 94V-0
- 2.Terminal : 0.014 Inch Phosphor
- 3.3u" ~ 5u" Gold over
- 80u" ~ 100u" Nickel Plated



"": 2 PRONGS FOR STRANDED WIRE



"2": 2 PRONGS FOR SOLID WIRE(SS)



"3": 3 PRONGS FOR SOLID WIRE(S)

**PART NO.**

MPHS-8 8 R 02 U2 03 01

- No. of Position: 8
- No. of Contact: 8
- R: Round Cable
- F: Flat Cable
- 01: No. Logo
- Gold Plating: 3u", 6u", 15u", 30u", 50u"
- U2: UL94V2, U0: UL94V-0
- Black: 2 Prongs for Stranded Wires
- 02: 2 Prongs for Solid Wires
- 03: 3 Prongs for Solid Wires

<b>PANSTRONG COMPANY LTD.</b>				DRAWN BY		TOMMY	
				CHECKED			
TITLE:		#T8TR* ** MP8P8C R.SH D				APPROVED	
PART NO :		MPHS88R				DRAW NO	
DRAW .BOX NO :							
SCALE		REV		A		UNIT	
						mm	