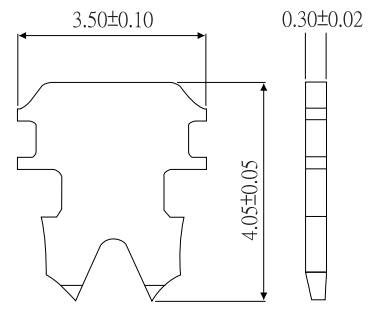
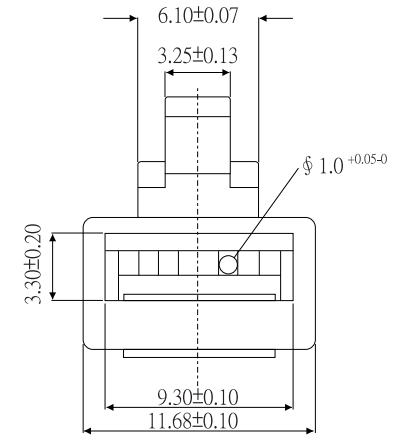
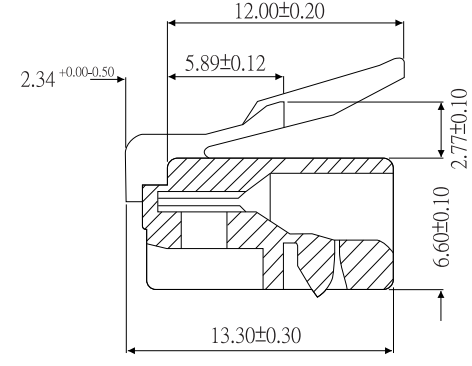
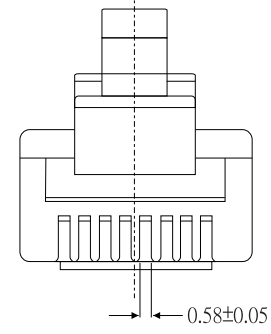
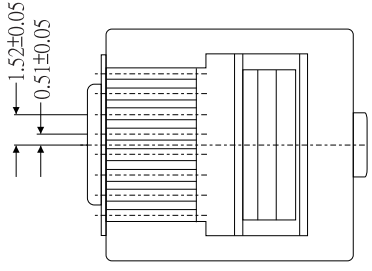
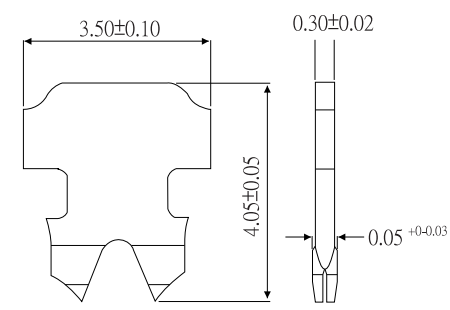


REV	DESCRIPTION	DATE
A	Initial Release	06.06.19

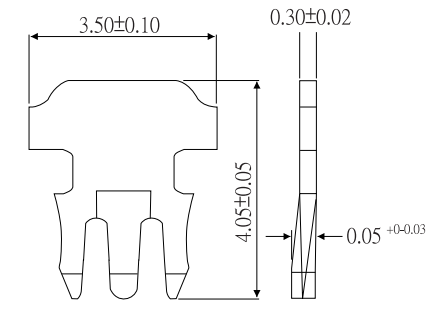
MATERIAL:1.Housing : Polycarbonate,UL 94V-2 or UL 94V-02.Terminal : 0.014 Inch Phosphor
3.3u" ~ 5u" Gold over 80u" ~ 100u" Nickel Plated



" " 2 PRONGS FOR STRANDED WIRE



"2" 2 PRONGS FOR SOLD WIRE (SS)



"3" 3 PRONGS FOR SOLD WIRE (S)

PART NO.

MPT-8 8 R 02 U2 03 01

- No. of Position
- No. of Contact: Round Cable
- F: Flat Cable
- 01: No. Logo
- Gold Plating: 3u", 6u", 15u", 30u", 50u"
- U2: UL94V2, U0: UL94V-0
- Blank: 2 Prongs for Stranded Wires
- 02: 2 Prongs for Solid Wires
- 03: 3 Prongs for Solid Wires

PANSTRONG COMPANY LTD.				DRAWN BY		TOMMY	
				CHECKED			
TITLE:		RJ45 Modular Plug, Short Body				APPROVED	
PART NO :		MPT-88*****01				DRAW NO	
DRAW . BOX NO :							
SCALE		REV		A		UNIT	
						mm	