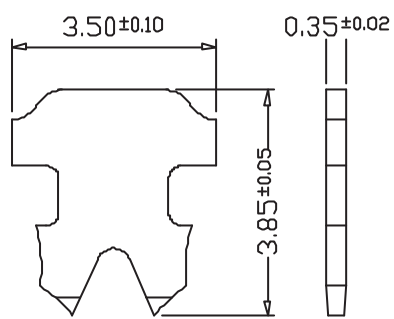
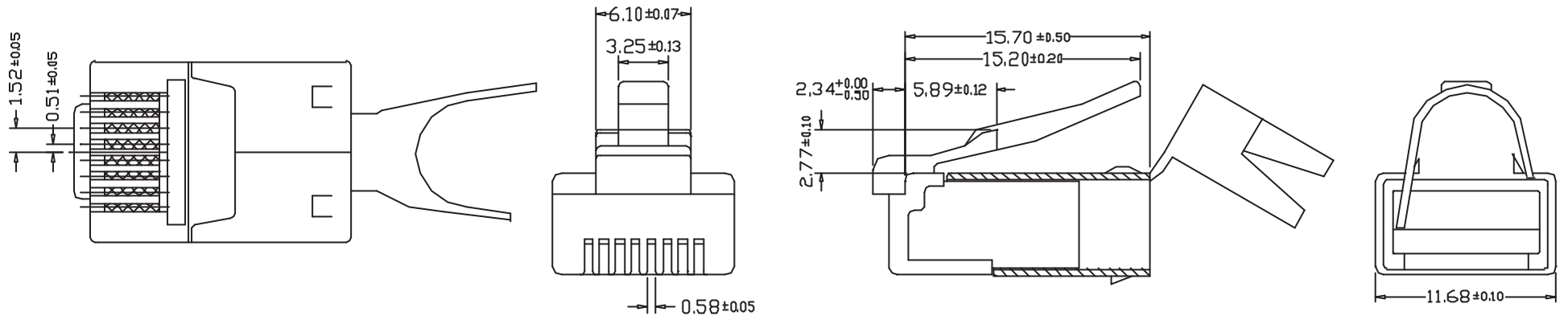
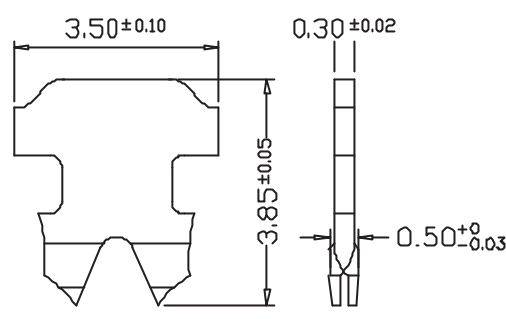


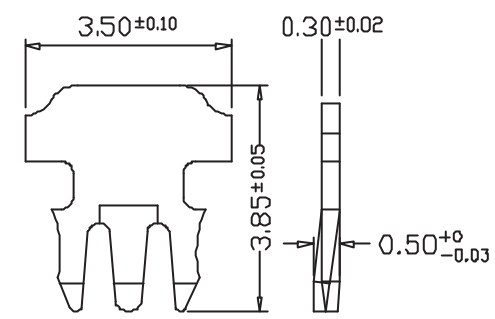
REV	DESCRIPTION	DATE
A	Initial Release	07.09.21



" " : 2 PRONGS FOR STRANDED WIRE



"2" : 2 PRONGS FOR SOLID WIRE(SS)



"3" : 3 PRONGS FOR SOLID WIRE(S)

PART NUMBER CODE:

MPS H 8 8 R 02 U2 **
 1 2 3 4 5 6 7

- 1. H:HIROSE COMPATIBLE TYPE
- 2. NUMBER OF POSITION
- 3. NUMBER OF CONTACT
- 4. R:ROUND CABLE F:FLAT CABLE
- 5. SKIP:2 PRONGS FOR STRANDED WIRES
 02:2 PRONGS FOR SOLID WIRES
 03:3 PRONGS FOR SOLID WIRES
- 6. U2:UL94V2, U0:UL-94V0 REATED
- 7. CONTACT GOLD PLATING:
 03: 3u" 06:6u" , 15:15u" , 30:30u" 50:50u"

	PANSTRONG COMPANY LTD.			DRAWN BY	TOMMY
				CHECKED	
TITLE:				APPROVED	
PART NO:	MPSH88			DRAW NO	
File Number:				UNIT	mm
SCALE		REV	A		