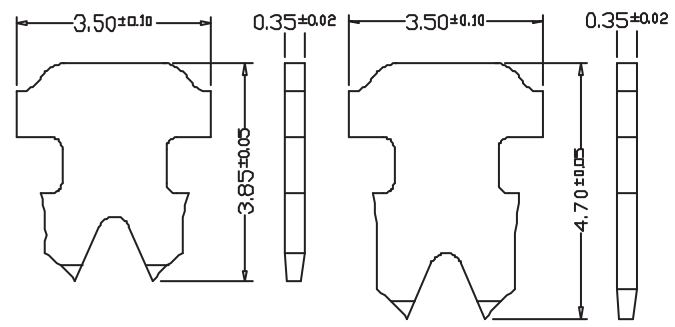
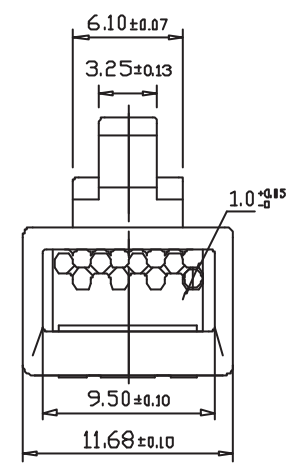
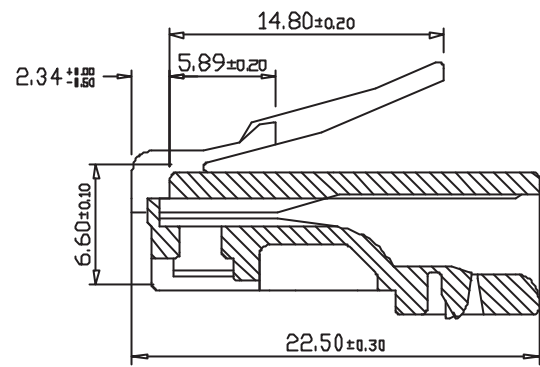
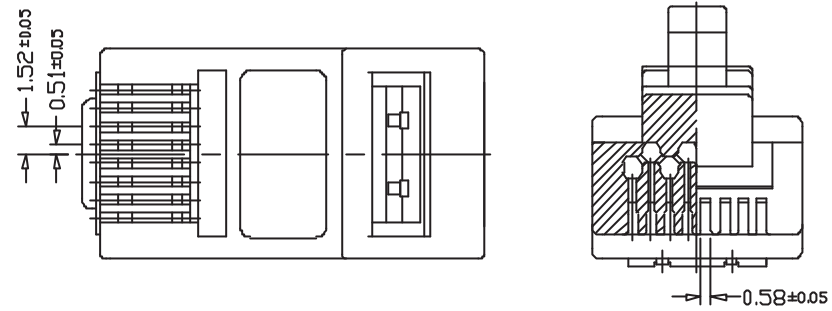
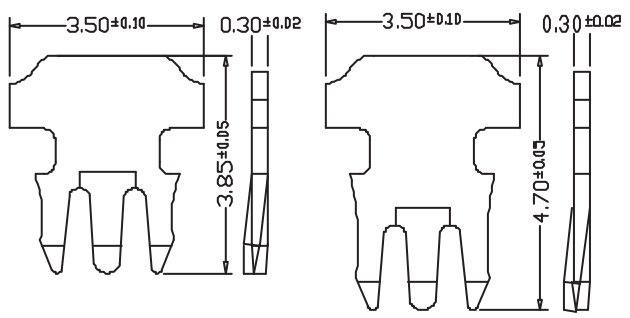


REV	DESCRIPTION	DATE
A	Initial Release	07.09.21



" " : 2 PRONGS FOR STRANDED WIRE



"3" : 3 PRONGS FOR SOLID WIRE(S)

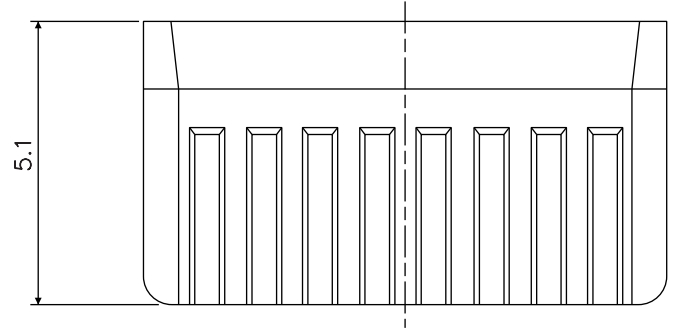
PART NUMBER CODE:

MPC5E R 02 U2 **
1 2 3 4

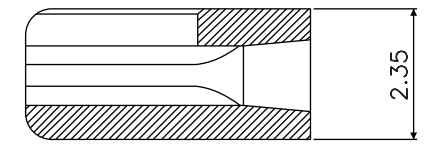
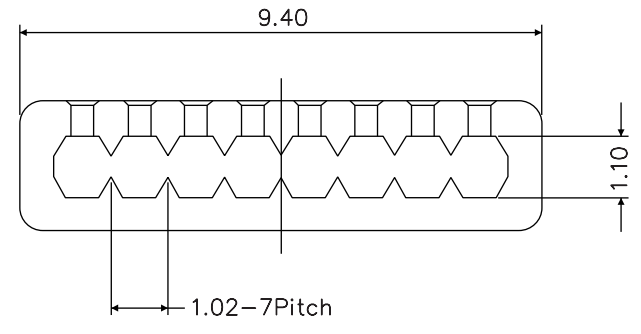
- 1. R:ROUND CABLE F:FLAT CABLE
- 2. SKIP:2 PRONGS FOR STRANDED WIRES
02:2 PRONGS FOR SOLID WIRES
03:3 PRONGS FOR SOLID WIRES
- 3. U2:UL94V2, U0:UL-94V0 REATED
- 4. CONTACT GOLD PLATING:
03: 3u" 06:6u" , 15:15u" , 30:30u" 50:50u"


	PANSTRONG COMPANY LTD.			DRAWN BY	TOMMY
				CHECKED	
TITLE:				APPROVED	
PART NO:	MPC5E			DRAW NO	
File Number:				UNIT	mm
SCALE		REV	A		

REV	DESCRIPTION	DATE
A	Initial Release	07.09.21



MATERIAL:
Housing: Polycarbonate, UL 94V-2,
UL 94V-0



 PANSTRONG COMPANY LTD.	DRAWN BY	TOMMY
	CHECKED	
TITLE:		
PART NO:	MPC5E	
File Number:		
SCALE	/	REV A
UNIT	mm	