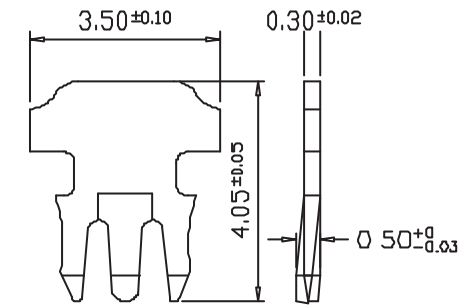
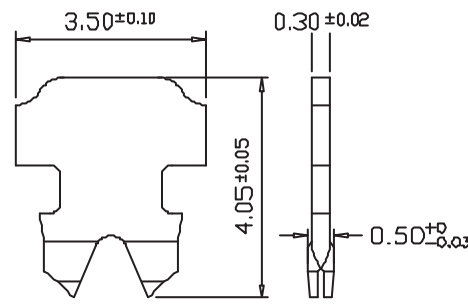
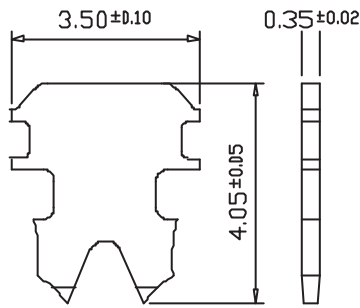
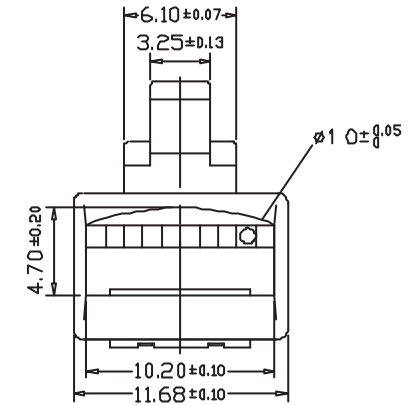
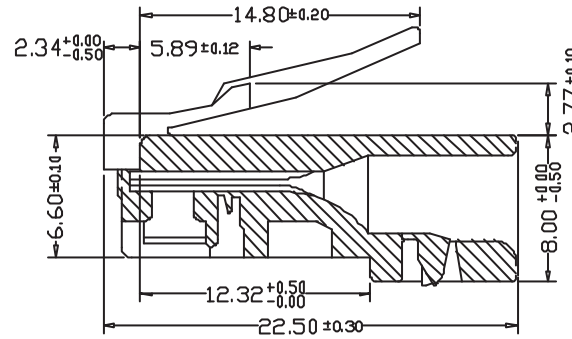
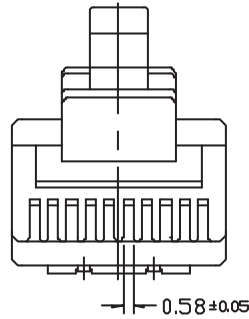
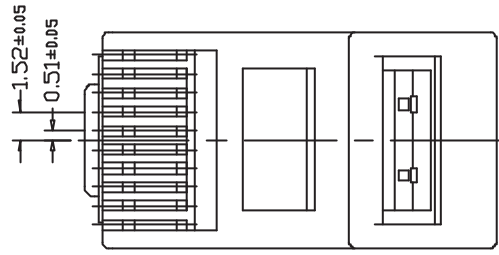


REV	DESCRIPTION	DATE
A	Initial Release	07.06.20



“ ” : 2 PRONGS FOR STRANDED WIRE

“2” : 2 PRONGS FOR SOLID WIRE(SS)

“3” : 3 PRONGS FOR SOLID WIRE(S)

PART NO. MP 10 10 R 02 U2 03 01  
 1 2 3 4 5 6 7

- 1. No. of Position
- 2. No. of Contact
- 3. R: Round Cable F: Flat Cable
- 4. Escape: 2 Prongs for Stranded  
 02: 2 Prongs for Solid Wires  
 03: 3 Prongs for Solid Wires
- 5. Material Rating  
 U2: UL94V2  
 U0: UL94V-0

- 6. Contact Gold Plating  
 3u", 6u", 15u", 30u", 50u"
- 7. Logo Marking:  
 01: None

PANSTRONG COMPANY LTD.				DRAWN BY		TOMMY	
				CHECKED			
TITLE:		10P Modular Plug				APPROVED	
PART NO:		MP 10 Series				DRAW NO	
File Number:							
SCALE		/	REV	A	UNIT	mm	