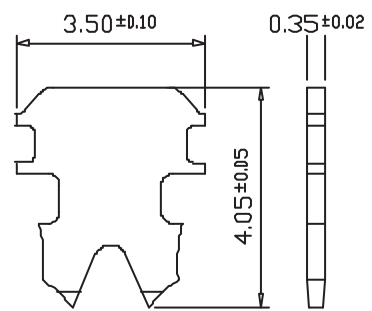
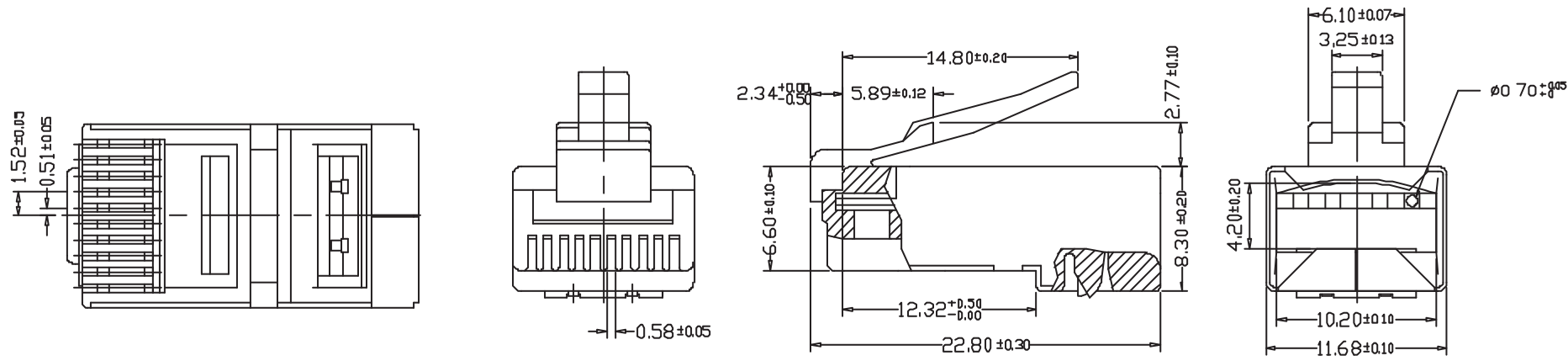
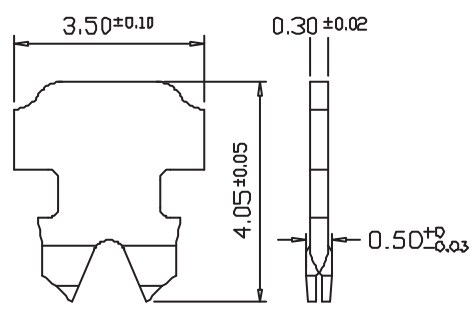


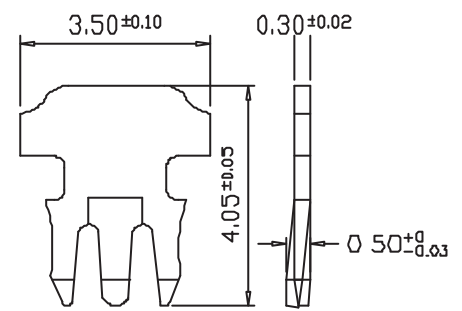
REV	DESCRIPTION	DATE
A	Initial Release	07.06.20



“ ” : 2 PRONGS FOR STRANDED WIRE



“2” : 2 PRONGS FOR SOLID WIRE(SS)



“3” : 3 PRONGS FOR SOLID WIRE(S)

PART NO. MPS 10 10 R 02 U2 30 01

- No. of Position
- No. of Contact
- R : Round Cable  
F : Flat Cable
- 01 : No Logo
- Gold Plating : 3U", 6u", 15u", 30u", 50u"
- U2 : UL94V2  
U0 : UL94V-0
- Blank : 2 Prongs for Stranded  
Wires02 : 2 Prongs for Solid  
Wires03 : 3 Prongs for Solid Wires

PANSTRONG COMPANY LTD.				DRAWN BY		TOMMY	
				CHECKED			
TITLE:		10P Modular Plug, Shilded		APPROVED			
PART NO:		MPS 10 Series		DRAW NO			
File Number:							
SCALE	/	REV	A	UNIT	mm		